

Product Passport

Facade system in accordance to EN 13 830



Purso Oy
Alumiinitie 1
FI-37200 Siuro, Finland
Tel. +358 3 3404 111
Fax +358 3 3404 500
E-mail purso@purso.fi
web www.purso.fi

Systems	P50L / P50LE P50S P60L	
Product line	Facade systems Structural Glazing facade	Product standard (hEN):
Materials	Aluminium: EN-AW 6063 T5 Thermal breaks: PVC Gaskets: EPDM	EN 13 830:2003 Test reports:
Surface treatment	Anodizing Powder coating	RTE3686-05 RTE3687-05 RTE4795-05
Glass/ infill panel	thickness 20..62 mm	RTE3966/05 RTE273/05
Frame depth	10..257 mm	RTE3965/04 TEV-15/09-01en
Frame width	50 or 60 mm	TEV-15/09-02en

Properties/ Class ^{*)}

Resistance to wind load **) $\leq 2 \text{ kN/m}^2$	Dead load **)	Resistance against impact npd	Air permeability AE1050	Watertightness RE1050
Airborne sound insulation $R_w (C; C_{tr})$ **)	Thermal transmittance (U_{CW}) **)	Fire resistance (E / EI) o↔i EI60	Reaction to fire npd	Fire propagation npd
Durability npd	Water vapour permeability npd	Equipotentiality **)	Thermal shock resistance npd	Resistance to horizontal loads **)

^{*)} Only tested/ calculated maximum values of the system

^{**)} Declared value according to project

Product Passport

Facade system in accordance to EN 13 830



Purso Oy
 Alumiinitie 1
 FI-37200 Siuro, Finland
 Tel. +358 3 3404 111
 Fax +358 3 3404 500
 E-mail purso@purso.fi
 web www.purso.fi

ref. No. for hEN-standard	Name:	P50L / P50LE			P50S			P60L		
	Description:	 Facade system (frame width 50 mm)			 Structural glazing facade system			 Facade system (frame width 60 mm)		
4.1	Resistance to wind load (declared value according to project)	$\leq 2 \text{ kN/m}^2$			npd			npd		
4.2	Dead load	declared value according to project			declared value according to project			declared value according to project		
4.3	Resistance against impact	npd			npd			npd		
4.4	Air permeability	AE1050			npd			npd		
4.5	Watertightness	RE1050			npd			npd		
4.6	Airborne sound insulation (declared value according to project)	R_w 42dB	R_w+C 40dB	R_w+C_{tr} 37dB	R_w dB	R_w+C dB	R_w+C_{tr} dB	R_w dB	R_w+C dB	R_w+C_{tr} dB
4.7	Thermal transmittance (U_{cw})	declared value according to project			declared value according to project			declared value according to project		
4.8	Fire resistance (E / EI)	o↔i EI60			npd			npd		
4.9	Reaction to fire	npd			npd			npd		
4.10	Fire propagation	npd			npd			npd		
4.11	Durability	npd			npd			npd		
4.12	Water vapour permeability	npd			npd			npd		
4.13	Equipotentiality	declared value according to project			declared value according to project			declared value according to project		
4.15	Thermal shock resistance	npd			npd			npd		
4.17	Resistance to horizontal loads	declared value according to project			declared value according to project			declared value according to project		

NOTE! Values in the table apply for tested elements (see test reports).
 Values according to project are declared separately.

Product Passport

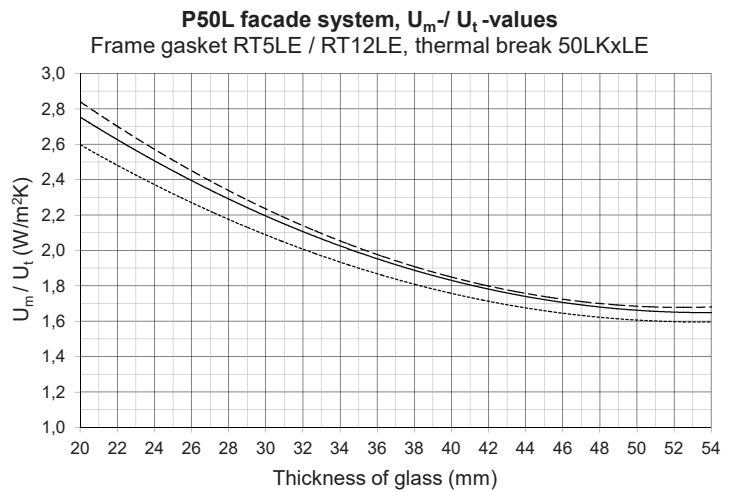
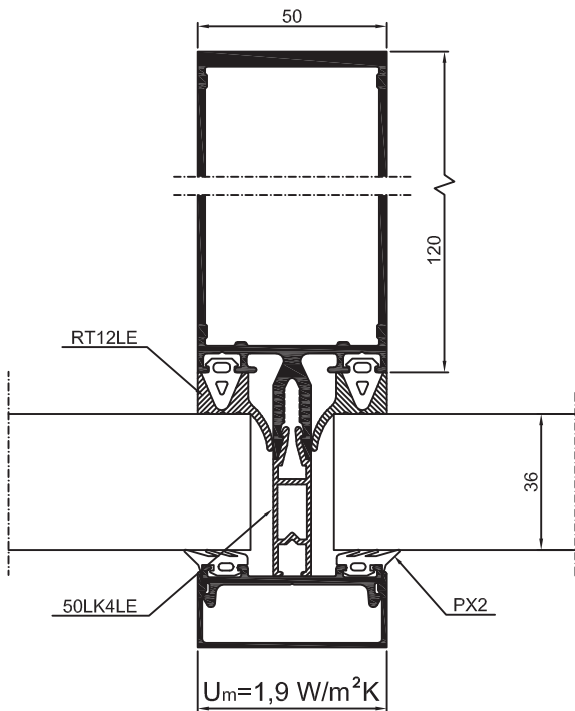
Facade system in accordance to EN 13 830



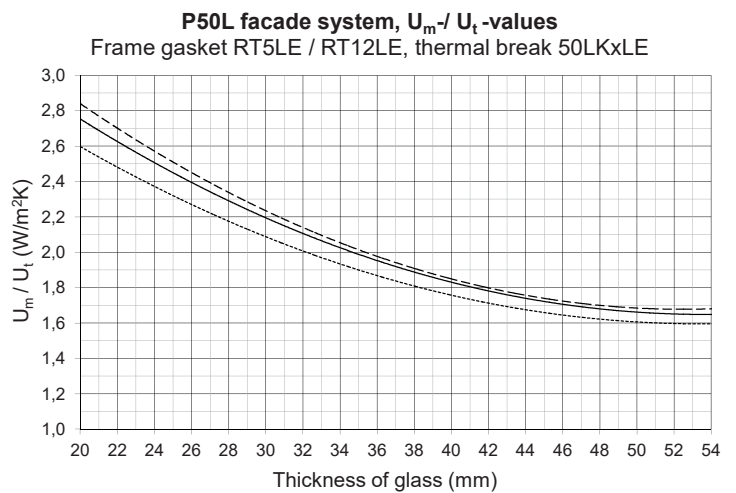
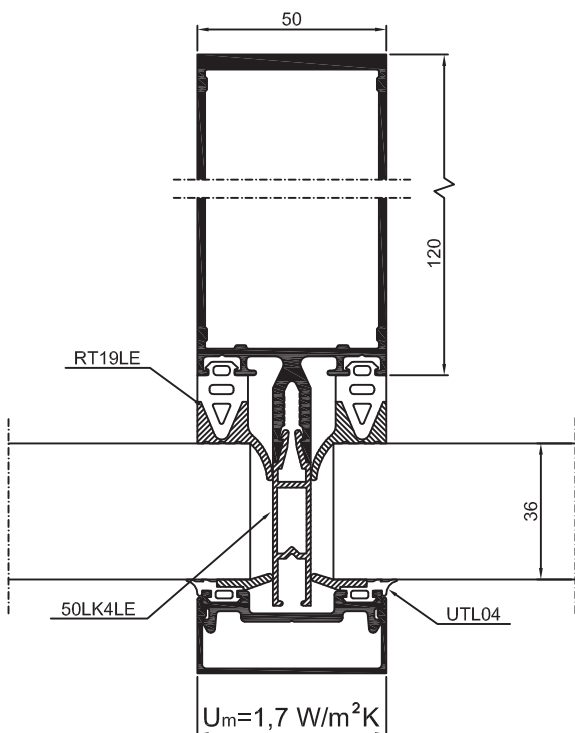
Purso Oy
 Alumiinitie 1
 FI-37200 Siuro, Finland
 Tel. +358 3 3404 111
 Fax +358 3 3404 500
 E-mail purso@purso.fi
 web www.purso.fi

P50L ja P50LE U_m -values for facade systems:

Thermal transmittance of the transoms (U_m) are calculated according to standard SFS-EN ISO 10077-2:2003 and EN 13947:2006
 The effect of the glazing screws is taken into account



- Frame profile:
- — — 507597 (200mm)/ 5013031 (207mm)
 - — — 506608 (120mm)/ 507668 (127mm)
 - - - - 506604 (40mm)/ 507822 (47mm)



Product Passport

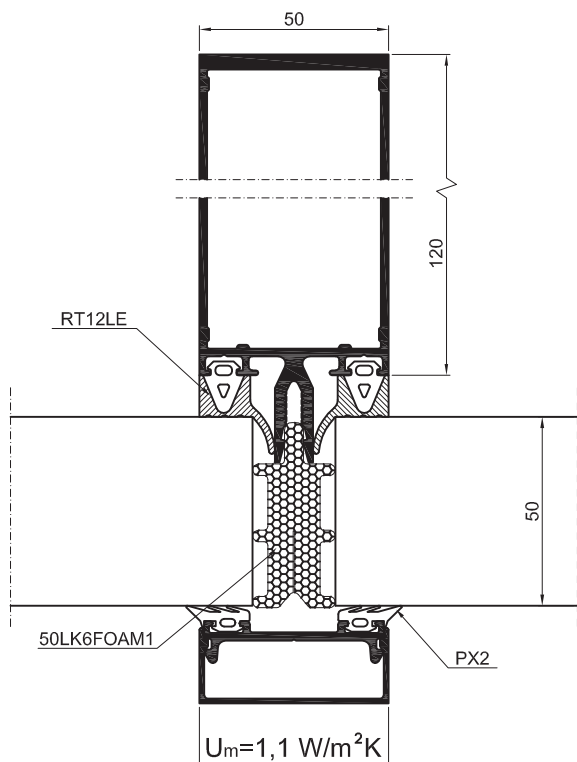
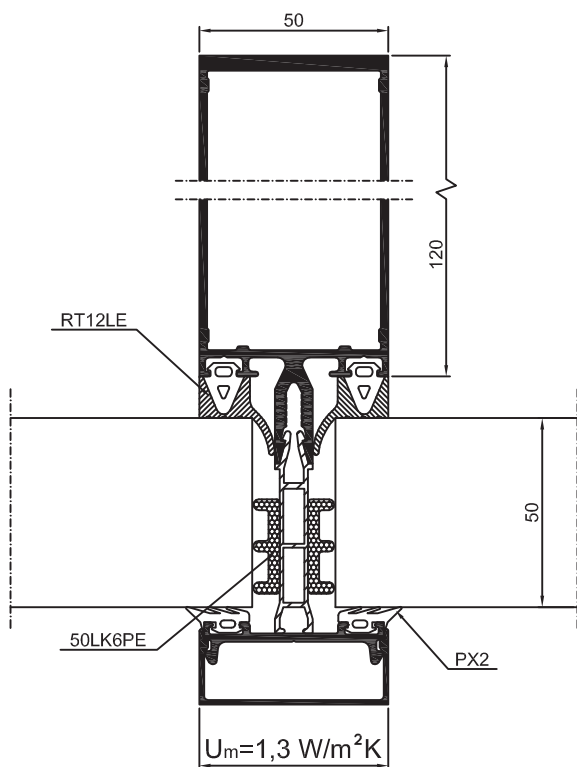
Facade system in accordance to EN 13 830



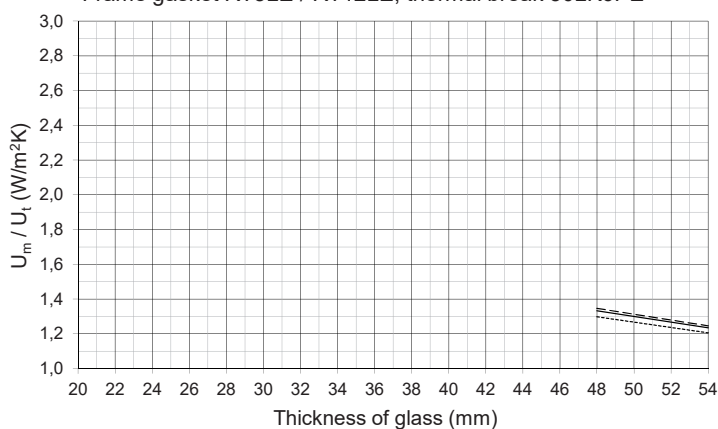
Purso Oy
 Alumiinitie 1
 FI-37200 Siuro, Finland
 Tel. +358 3 3404 111
 Fax +358 3 3404 500
 E-mail purso@purso.fi
 web www.purso.fi

P50L ja P50LE U_m -values for facade systems:

Thermal transmittance of the transoms (U_m) are calculated according to standard SFS-EN ISO 10077-2:2003 and EN 13947:2006
 The effect of the glazing screws is taken into account



P50L facade system, U_m -/ U_t -values
 Frame gasket RT5LE / RT12LE, thermal break 50LK6PE



- Frame profile:
- — — 507597 (200mm)/ 5013031 (207mm)
 - 506608 (120mm)/ 507668 (127mm)
 - - - - - 506604 (40mm)/ 507822 (47mm)

P50L facade system, U_m -/ U_t -values
 Frame gasket RT5LE / RT12LE, thermal break 50LK6FOAM1

