

**SNEP**®  
**BY PURSO**



**SNEP**® LX

Installation instructions

12/05/2021

Keep the instructions and hand them over to the user of the property.

#### Safety Instructions

Check the product for transport contents and damage. If you notice any defects or shortcomings in the delivery or in a product please contact the seller immediately.

The luminaire must be disconnected from the mains before installation or maintenance work to avoid the risk of electric shock!

- The luminaire does not come with a terminal block. The installation or maintenance of the luminaire should only be carried out by an authorized person in accordance with these instructions.
- The light source of the luminaire may only be replaced by the manufacturer, a person authorized by him or an equivalent qualified person.



#### Instructions

- No changes may be made to the product
- The manufacturer is not responsible for misuse of the product
- The installed product must not be subjected to external mechanical stress
- The installed product must not be exposed to strong chemicals
- Do not look directly at the luminaire that is on

#### Service instructions

- If necessary, use neutral soap solutions and non-abrasive cleaners to clean the luminaire

#### Storage

- The product is stored in a dry and clean environment
- Do not strain the product mechanically or chemically during storage

#### Brackets:

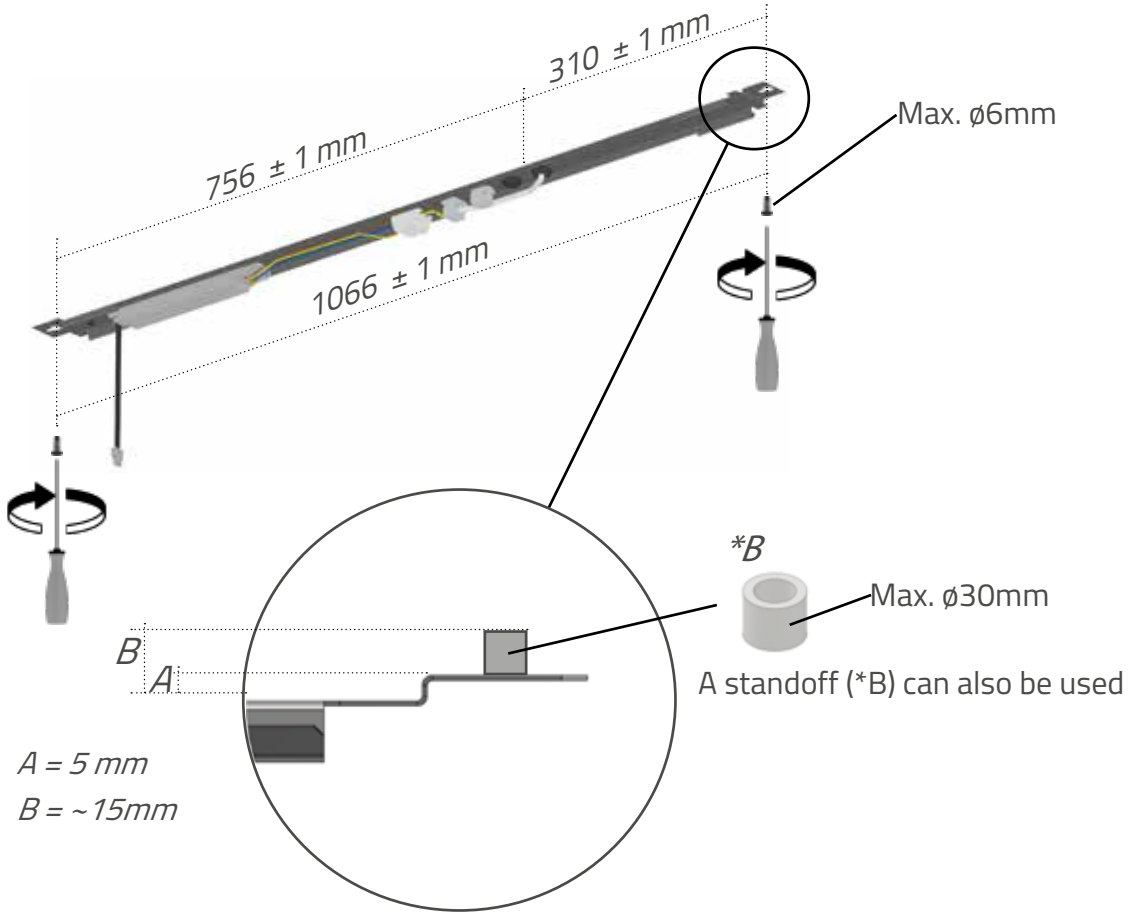
Use the brackets that came with the shipment only if they are suitable for the intended purpose. If the fasteners are included in the order, they are packaged separately. Please note that for partial shipments, mounts may only be included with the first delivery batch.

The number of fasteners must be used according to the instructions (see table).

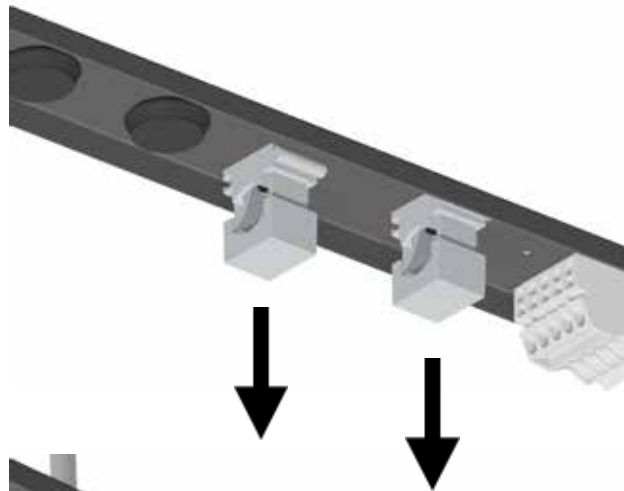
Brackets / luminaire	Suspended installations
SNEP LX	2

# 1. Surface-mounting |

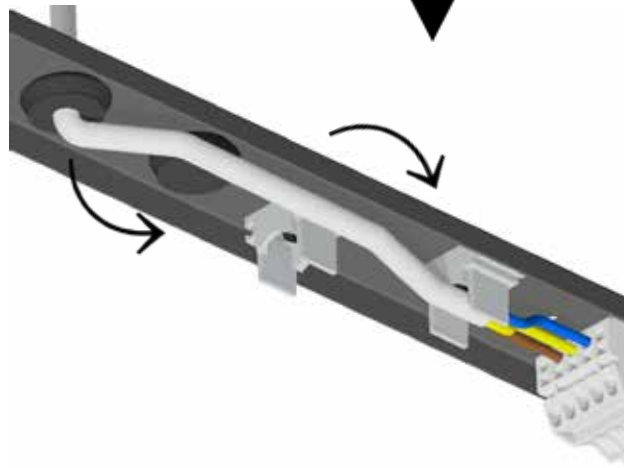
1a.



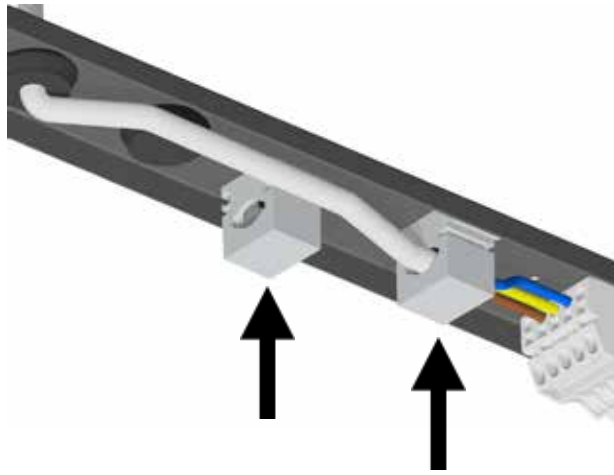
1b.



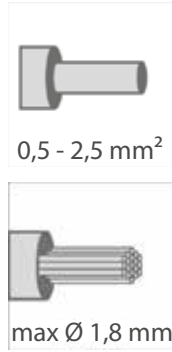
1c.



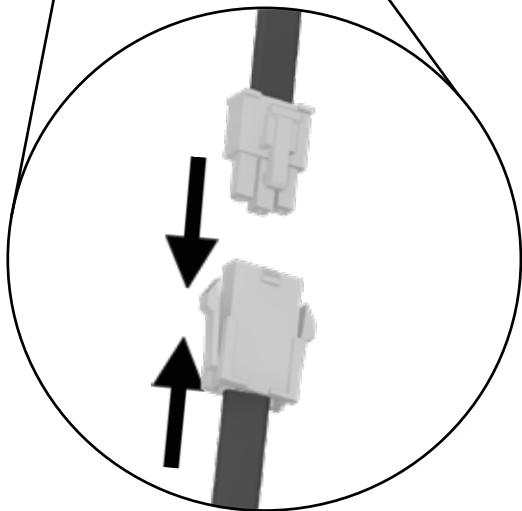
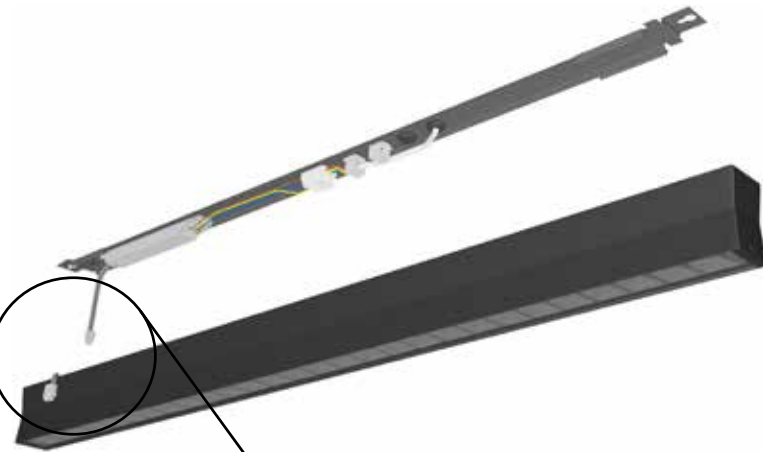
1d.



DA+ / L3	Gray /	—
N	Blue /	—
PE	Yellow-green /	—
L1	Brown /	—
DA- / L2	Black /	—



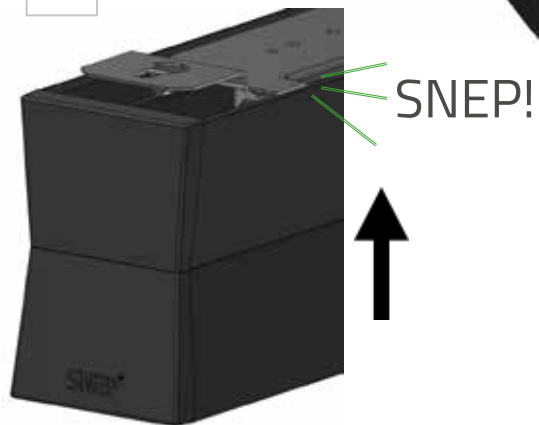
1e.



1f.

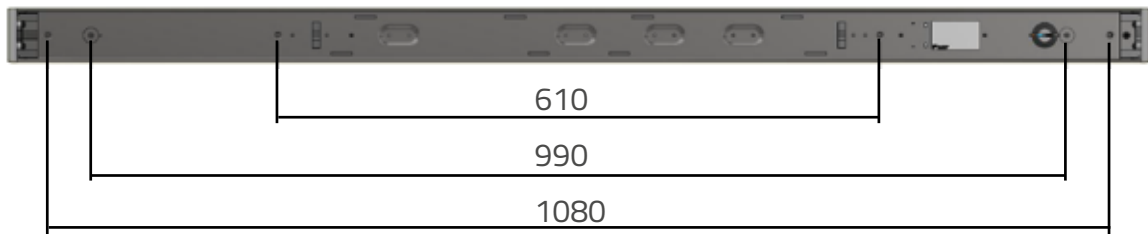


1g.

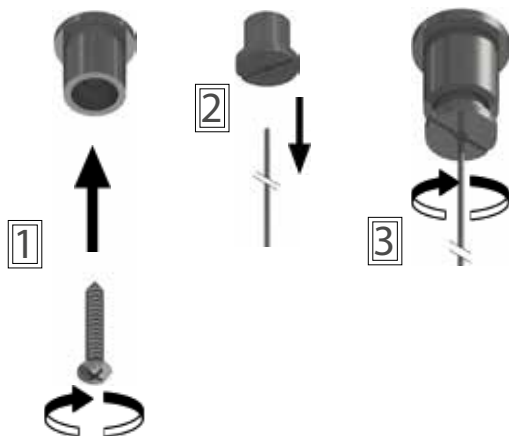


## 2. Suspended installations |

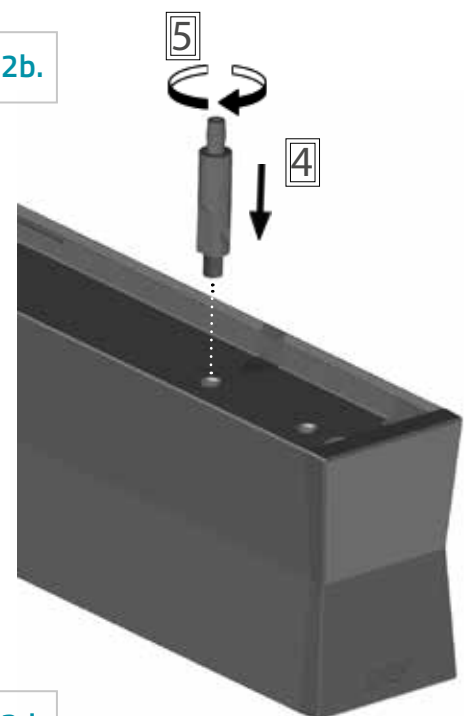
Suspension wire mounting distance /



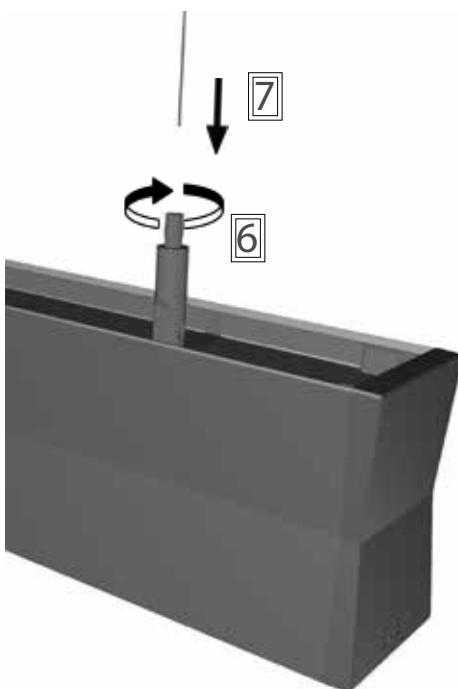
2a.



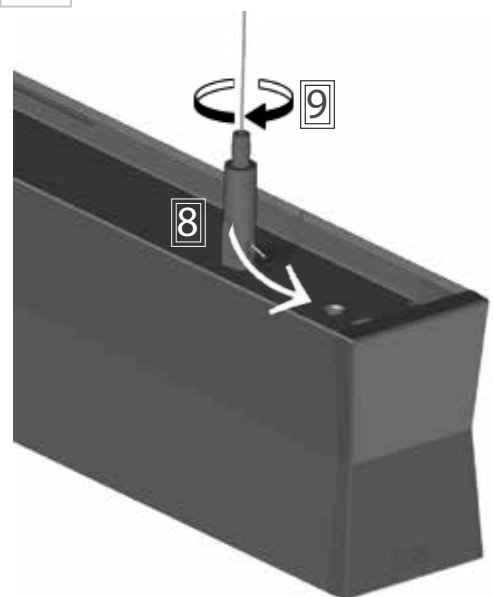
2b.



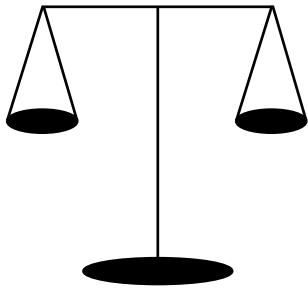
2c.



2d.

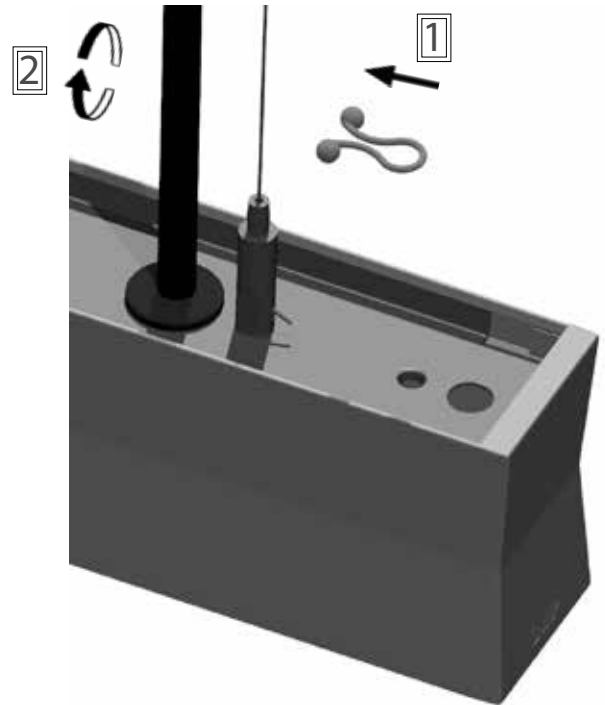


2e.



2f.

- 1 Thread the cable holder through the wire and cable.
- 2 Screw in the cable holder.

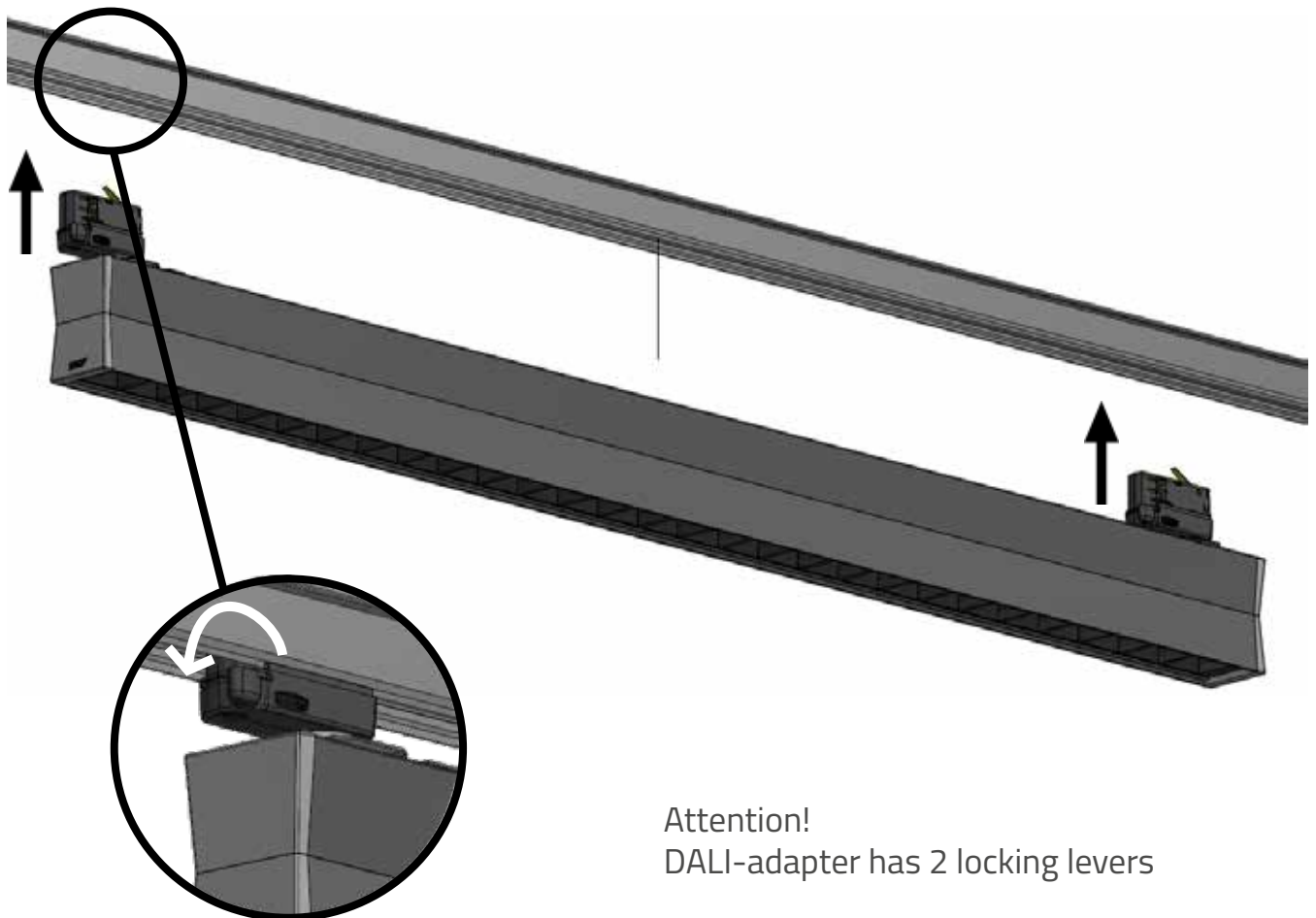


### 3. Lighting track installation |

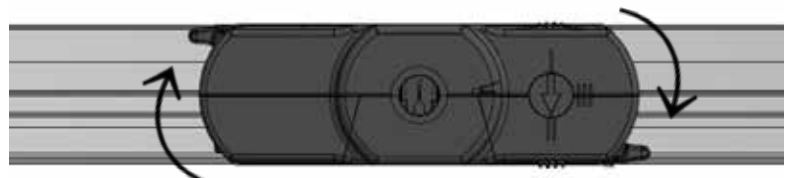
3a.

Suitable (depending on the model) for GLOBAL pro 3-circuit tracks as well as UNIPRO Control-DALI 3-circuit track.

Attention!  
Only one of the adapters is electrically connected to the luminaire. The other adapter is marked "DUMMY".  
Lock both adapters to the track by turning the locking lever.



Attention!  
DALI-adapter has 2 locking levers



3b.

3-phase track:

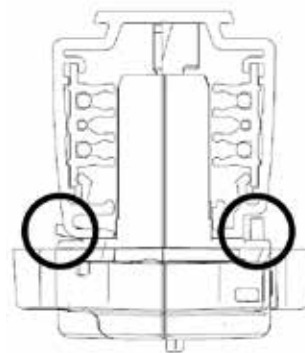
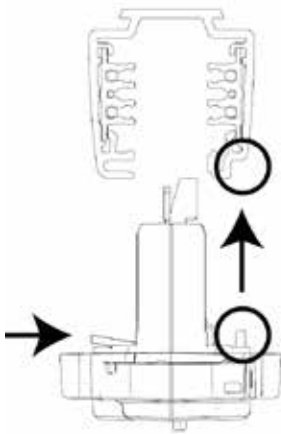
Choose the phase (1,2 or 3) before fastening into the track or afterwards.

Attention! (Control-DALI 3-phase track):

Check that adapter orientation is correct (rib in the adapter is on the same side as groove in the track).

Press adapter against track.

Check that securing lever is fully pressed against track and the rib in the adapter is in groove of the track.










## 4. Coupling |

The connection must be made according to the room protection rating and, if necessary, using a distribution box that provides the required protection rating.

ATTENTION. Transparent DALI cable has different wire colors. See table below.

Terminal block	3-phase	DALI	Wire color
2	L2	DA- / 2	Black
1	L1	L	Brown
			Yellow-green
N	N	N	Blue
3	L3	DA+ / 1	Gray

Transparent cable (only in suspended DALI installations):

Terminal block	DALI	Wire color
2	DA- / 2	White
1	L	Brown
		Yellow-green
N	N	Blue
3	DA+ / 1	Red

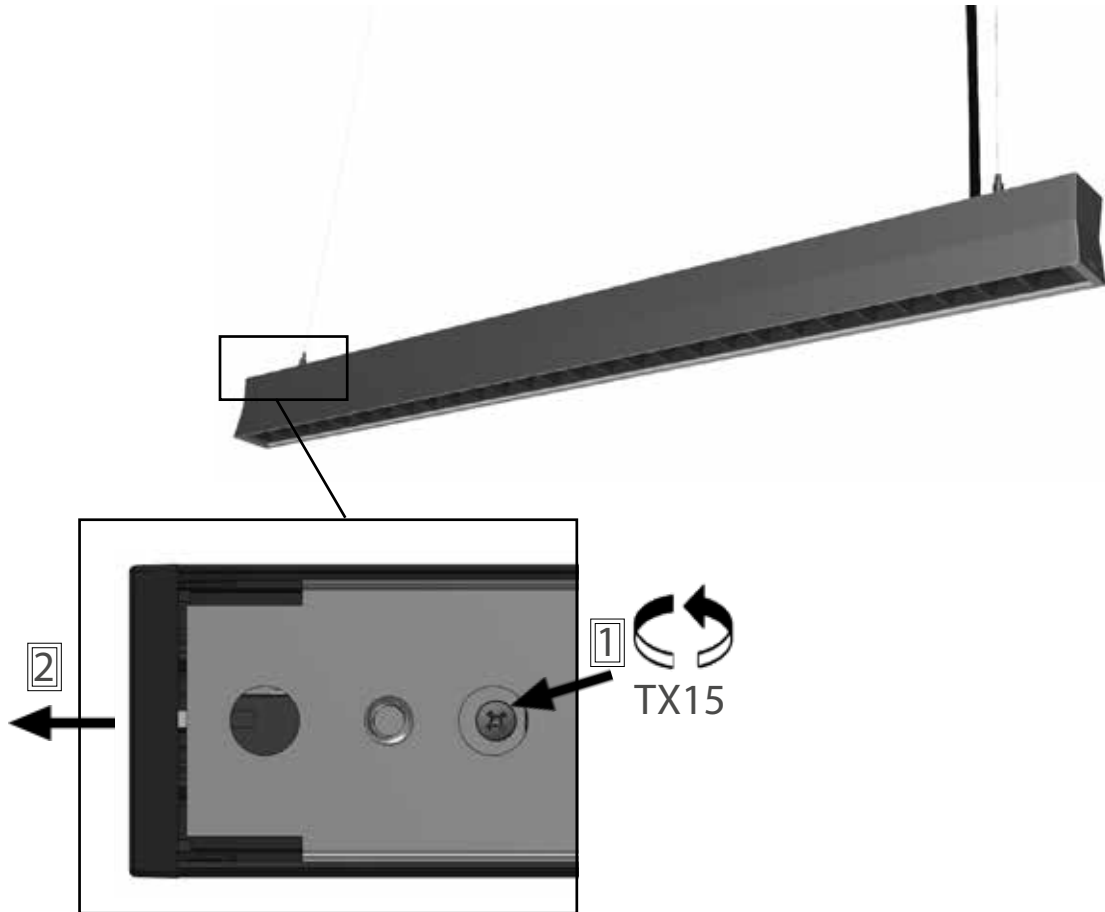
### NOTE!

Basic insulation must be maintained between the mains voltage components and the DALI control circuit

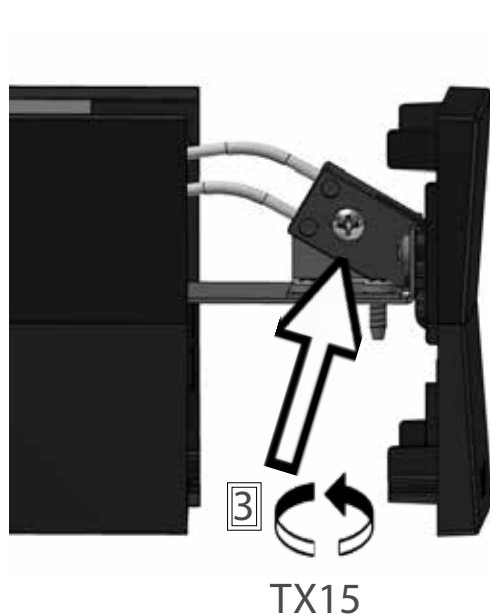
## 5. Pull switch replacement |

The luminaire must be disconnected from the mains before installation or maintenance work to avoid the risk of electric shock!

5a.



5b.



- 3 Release the pull switch from the plate.  
Replace the cord with a new one and guide it through the luminaire cord cover.  
Lastly, secure the parts in a reverse order.

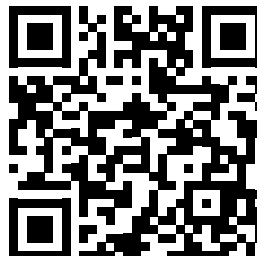
ATTENTION! Unlike other luminaire components pull switch has a limited 1 year warranty

## 6. Wireless control |

(only specific models)

Active Ahead (gen2), Helvar Freedom - self-learning wireless lighting solution. For more information:

<https://helvar.com/solutions/activeahead/>



[https://helvar.com/wp-content/uploads/2020/09/app-activeahead\\_USERGUIDE\\_EN.pdf](https://helvar.com/wp-content/uploads/2020/09/app-activeahead_USERGUIDE_EN.pdf)

# SNEP<sup>®</sup>

## BY PURSO



Luminaire and packing materials have to be disposed of according to local requirements.

Specifications subject to change without notice.

**Purso Oy**  
Alumiinitie 1  
FI-37200 Siuro

+358 (0)3 3404 111  
snep@purso.fi  
purso.fi