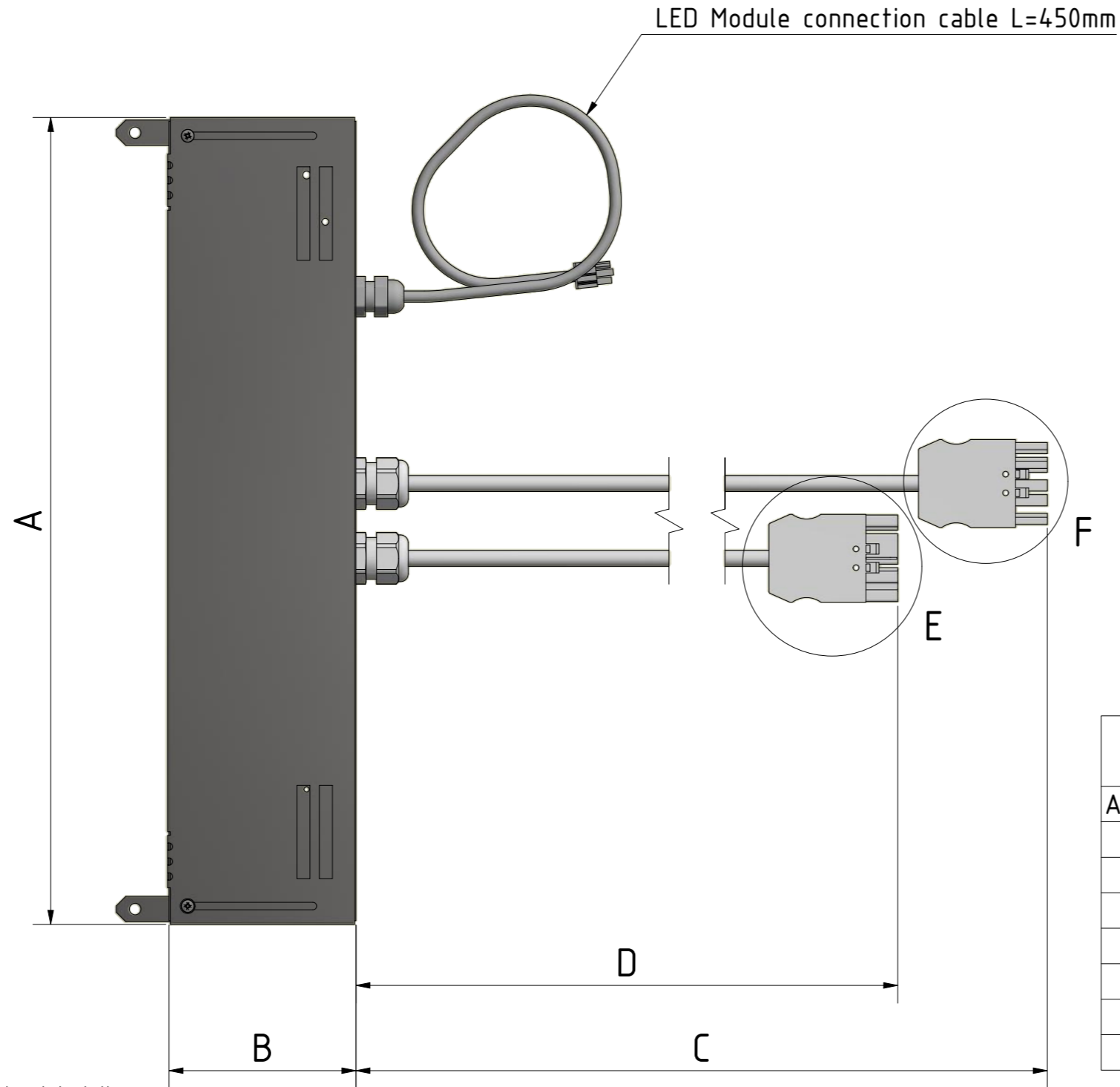


**SNEP Aari**

Drw. No.  
VX10434



Saatavilla olevat mitat:  
Available lengths:

=2WxW Wago Cables			
Aari ECG (A / B)	CABLE (C)	CABLE (D)	Code
432 / 100	1900	900	=2W1W
	1900	1900	=2W2W
	1900	2900	=2W3W
	1900	3900	=2W4W
	1900	4900	=2W5W
	1900	5900	=2W6W
	1900	7900	=2W8W

Pituus (C ja D) toleranssi ±0,1m  
The stated length (C and D) tolerance ±0,1m

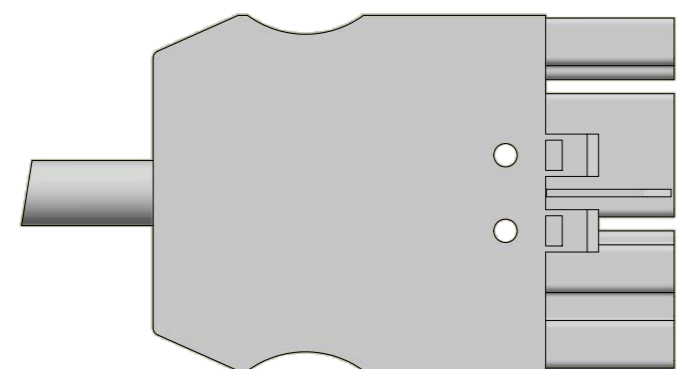
Wago Winsta Midi Cables		
Code	Description	Cable type
=2W1W	5x2,5mm <sup>2</sup> , 2m; 5x2,5mm <sup>2</sup> , 1m	H05VV-F
=2W2W	5x2,5mm <sup>2</sup> , 2m; 5x2,5mm <sup>2</sup> , 2m	H05VV-F
=2W3W	5x2,5mm <sup>2</sup> , 2m; 5x2,5mm <sup>2</sup> , 3m	H05VV-F
=2W4W	5x2,5mm <sup>2</sup> , 2m; 5x2,5mm <sup>2</sup> , 4m	H05VV-F
=2W5W	5x2,5mm <sup>2</sup> , 2m; 5x2,5mm <sup>2</sup> , 5m	H05VV-F
=2W6W	5x2,5mm <sup>2</sup> , 2m; 5x2,5mm <sup>2</sup> , 6m	H05VV-F
=2W8W	5x2,5mm <sup>2</sup> , 2m; 5x2,5mm <sup>2</sup> , 8m	H05VV-F
=2W1WHF	5x2,5mm <sup>2</sup> , 2m; 5x2,5mm <sup>2</sup> , 1m	H05Z1Z1-F
=2W2WHF	5x2,5mm <sup>2</sup> , 2m; 5x2,5mm <sup>2</sup> , 2m	H05Z1Z1-F
=2W3WHF	5x2,5mm <sup>2</sup> , 2m; 5x2,5mm <sup>2</sup> , 3m	H05Z1Z1-F
=2W4WHF	5x2,5mm <sup>2</sup> , 2m; 5x2,5mm <sup>2</sup> , 4m	H05Z1Z1-F
=2W5WHF	5x2,5mm <sup>2</sup> , 2m; 5x2,5mm <sup>2</sup> , 5m	H05Z1Z1-F
=2W6WHF	5x2,5mm <sup>2</sup> , 2m; 5x2,5mm <sup>2</sup> , 6m	H05Z1Z1-F
=2W8WHF	5x2,5mm <sup>2</sup> , 2m; 5x2,5mm <sup>2</sup> , 8m	H05Z1Z1-F
=2W1WDA	5x2,5mm <sup>2</sup> , 2m; 5x2,5mm <sup>2</sup> , 1m	H05VV-F
=2W2WDA	5x2,5mm <sup>2</sup> , 2m; 5x2,5mm <sup>2</sup> , 2m	H05VV-F
=2W3WDA	5x2,5mm <sup>2</sup> , 2m; 5x2,5mm <sup>2</sup> , 3m	H05VV-F
=2W4WDA	5x2,5mm <sup>2</sup> , 2m; 5x2,5mm <sup>2</sup> , 4m	H05VV-F
=2W5WDA	5x2,5mm <sup>2</sup> , 2m; 5x2,5mm <sup>2</sup> , 5m	H05VV-F
=2W6WDA	5x2,5mm <sup>2</sup> , 2m; 5x2,5mm <sup>2</sup> , 6m	H05VV-F
=2W8WDA	5x2,5mm <sup>2</sup> , 2m; 5x2,5mm <sup>2</sup> , 8m	H05VV-F
=2W1WHFDA	5x2,5mm <sup>2</sup> , 2m; 5x2,5mm <sup>2</sup> , 1m	H05Z1Z1-F
=2W2WHFDA	5x2,5mm <sup>2</sup> , 2m; 5x2,5mm <sup>2</sup> , 2m	H05Z1Z1-F
=2W3WHFDA	5x2,5mm <sup>2</sup> , 2m; 5x2,5mm <sup>2</sup> , 3m	H05Z1Z1-F
=2W4WHFDA	5x2,5mm <sup>2</sup> , 2m; 5x2,5mm <sup>2</sup> , 4m	H05Z1Z1-F
=2W5WHFDA	5x2,5mm <sup>2</sup> , 2m; 5x2,5mm <sup>2</sup> , 5m	H05Z1Z1-F
=2W6WHFDA	5x2,5mm <sup>2</sup> , 2m; 5x2,5mm <sup>2</sup> , 6m	H05Z1Z1-F

HUOM!  
Pituus (C ja D) on maksimimita, jonka kullakin kaapelilla voi saavuttaa.  
On suositeltavaa jättää tarvittava pelivara asennukselle (esim. jos kaapelia täytyy taivutella, kiertää esteitä tms.).

ATTENTION! Length (C and D) is the absolut maximum through-wiring distance.  
It is advised to leave some leeway for assembling (e.g. if the cable needs to be bend etc.).

Wago pistoliitinkaapeli (IP20):  
Wago connection cable, plug (IP20):

Wago Cable insulation options	Code
MSK / PVC / H05VV-F 5G2.5	
MSK / PVC / H05VV-F 5G2.5	DA
MSK / HF / H05Z1Z1-F 5G2.5	HF
MSK / HF / H05Z1Z1-F 5G2.5	HFDA



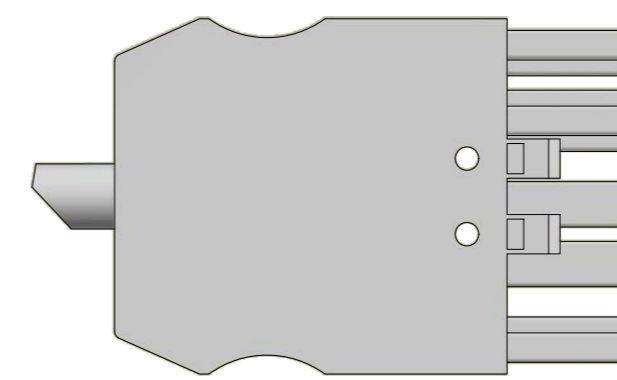
E ( 1 : 1 )

WAGO Winsta Midi 771 MALE connector  
(5x2,5mm<sup>2</sup>)

- L3 / DA+/1 (Harmaa/Grey/Grå/Grau)
- L2 / DA-/2 (Musta/Black/Svart/Schwarz)
- L1 (Ruskea/Brown/Brun/Braun)
- PE (Keltavihreä/Yellow-Green/Gul-Grön/Grünelb)
- N (Sininen/Blue/Blå/Blau)

FI/EN/SWE/DE

Wago pistoliitinkaapeli (IP20):  
Wago connection cable, socket (IP20):



F ( 1 : 1 )

WAGO Winsta Midi 771 FEMALE connector  
(5x2,5mm<sup>2</sup>)

- N (Sininen/Blue/Blå/Blau)
- PE (Keltavihreä/Yellow-Green/Gul-Grön/Grünelb)
- L1 (Ruskea/Brown/Brun/Braun)
- L2 / DA-/2 (Musta/Black/Svart/Schwarz)
- L3 / DA+/1 (Harmaa/Grey/Grå/Grau)

FI/EN/SWE/DE

Esimerkki Wago pistoliitinkaapelivalinnoista:  
Example of Wago connecting cable codes:  
=2W4WHFDA (Wago DALI cable 2m female + 4m male, H05Z1Z1-F 5G2.5, halogen-free)