

SNEP[®] MODE CR SQUARE – prominently spectacular

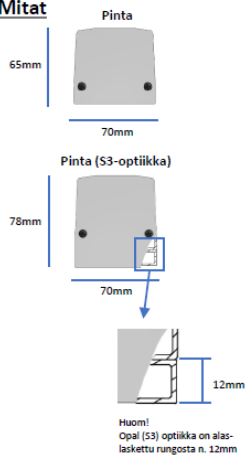
SNEP[®] Mode CR SQUARE –square luminaire is based on Mode CR light line frame parts and LED modules. Available in four different sizes.

The SNEP[®] Mode CR SQUARE square luminaire is a luminaire element that utilizes the body and LED modules of the Mode CR light line. Available in four different sizes. The Mode CR SQUARE together with the Mode CR light line, the Mode CR ANGLE arrow light and the Mode C product family enable a fresh and uniform look. Applications include shopping malls, public spaces, shops and corridors. The luminaire is installed suspended. SNEP[®] Mode CR SQUARE works elegantly in decorative lighting or in demanding conditions with high light output. The SNEP[®] Mode CORE core, together with the modern frame cabling system, enables flexible lighting maintenance and upgradeability.

Product info

IP-class	IP20
Mechanical impact resistance	IK06
Protection class	I
Ambient temperature	Ta 0...+40°C
Voltage	200-240 Vac
Power Factor	>0.95
Frequency	0/50/60 Hz
Frame Structure	Frame recycled Purso Greenline aluminium profile.
Colour	White RAL 9010 or matt black RAL 9005
Optical cover / Optics	Opal PC-cover optics
CRI / CCT	<ul style="list-style-type: none">▪ 3000K CRI > 80▪ 4000K CRI > 80
Electronics	<ul style="list-style-type: none">▪ DALI, 4 addresses▪ DALI, 8 addresses
Installation method	Pendant installation. Delivered in pieces.
Lumen maintenance	L80B50 100 000h
Failure rate	100 000h / 10 %
Warranty	5-years.
Length	A 1482x1482 mm / 1762x1762 mm / 2322x2322mm/ 2894x2894 mm, B 65mm (S2-optiikka) / 78mm (S3-optiikka), C 70mm

Mitat



Mode CR Square - Tekniset tiedot:		
Valaisin:	LED-Moduulityyppi	DALI-osoitteiden määrä
CRSQ 1482 x 1482	4 x LED-Moduuli CR05S2	4
CRSQ 1482 x 1482	4 x LED-Moduuli CR05S3	4
CRSQ 1482 x 1482	4 x LED-Moduuli CR05M1	4
CRSQ 1762 x 1762	4 x LED-Moduuli CR06S2	4
CRSQ 1762 x 1762	4 x LED-Moduuli CR06S3	4
CRSQ 1762 x 1762	4 x LED-Moduuli CR06M1	4
CRSQ 2322 x 2322	4 x LED-Moduuli CR08S2	4
CRSQ 2322 x 2322	4 x LED-Moduuli CR08S3	4
CRSQ 2322 x 2322	4 x LED-Moduuli CR08M1	4
CRSQ 2894 x 2894	8 x LED-Moduuli CR05S2	8
CRSQ 2894 x 2894	8 x LED-Moduuli CR05S3	8
CRSQ 2894 x 2894	8 x LED-Moduuli CR05M1	8

Valonjaot

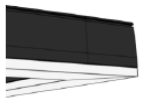
Opaali (S2)



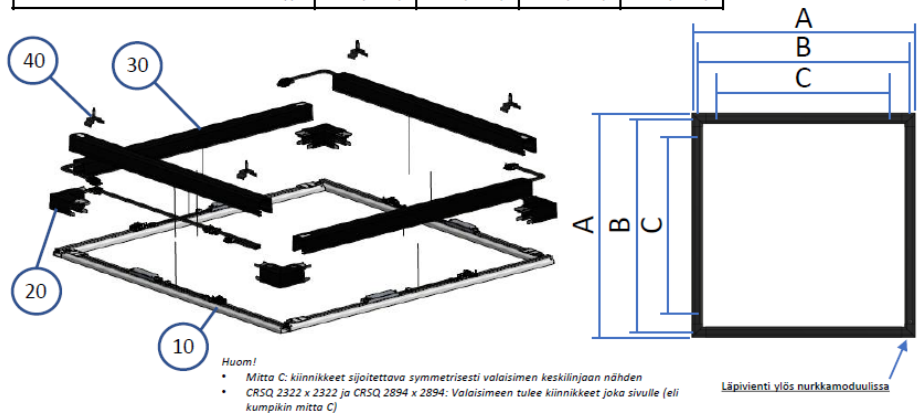
Mikroprisma (M1)



Opaali (S3)



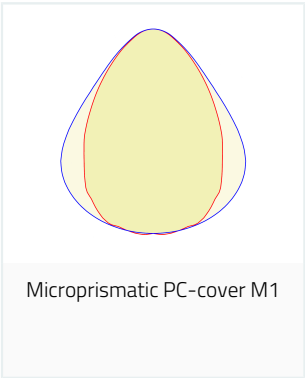
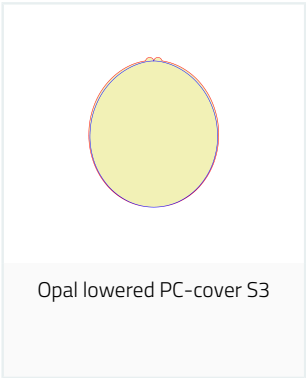
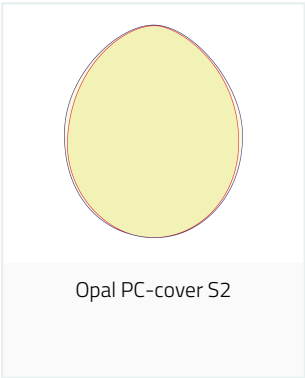
Osanro:	Komponentit:	Mode CR Square:			
		CRSQ 1482 x 1482	CRSQ 1762 x 1762	CRSQ 2322 x 2322	CRSQ 2894 x 2894
10	LED-Moduuli CR05 (1410mm)	4			8
10	LED-Moduuli CR06 (1690mm)		4		
10	LED-Moduuli CR08 (2250mm)			4	
20	Nurkkamoduuli (130 x 130mm)	4	4	4	4
30	Runkomoduuli FCRS05 (1222mm)	4			
30	Runkomoduuli FCRS06 (1502mm)		4		
30	Runkomoduuli FCRS08 (2062mm)			4	
30	Runkomoduuli FCRS10 (2634mm)				4
40	Vaijerikiinnike MB20	4	4	8	8
Mitta A: Valaisimen ulkomitta		1482	1762	2322	2894
Mitta B: Valaisinrunkojen keskilinja		1411	1691	2251	2823
Mitta C: Kiinnikkeiden etäisyys		1000 (± 300)	1100 (± 300)	1200 (± 200)	1550 (± 150)



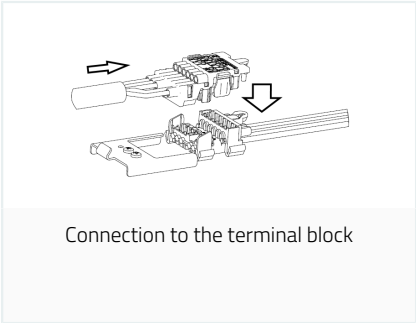
Classifications



Optics



Connections



Luminaires

Luminaires	CRI	CCT	Optics	Length	Width	Height	Weight
SNEP® MODE CR SQUARE	CRI > 80	4000K	S3	1482mm	1482mm	78mm	14.8kg

Nimike	Technical name	lm**	W**	lm/W**	Ta	Taind	Lifetime	Failure rate
1482x1482 S3	840LO 72W	8800	72	122	0...+40°C		L80B50 100 000h	100 000h / 10%
1482x1482 S3	840LO 92W	10800	92	117	0...+40°C		L80B50 100 000h	100 000h / 10%
1482x1482 S3	840LO 108W	12800	108	119	0...+40°C		L80B50 100 000h	100 000h / 10%
1482x1482 S3	840HE 120W	14200	120	118	0...+40°C		L80B50 100 000h	100 000h / 10%
1482x1482 S3	840HE 132W	15400	132	117	0...+40°C		L80B50 100 000h	100 000h / 10%
1482x1482 S3	840HE 140W	16800	140	120	0...+40°C		L80B50 100 000h	100 000h / 10%
1482x1482 S3	840HE 164W	19400	164	118	0...+40°C		L80B50 100 000h	100 000h / 10%
1482x1482 S3	840HE 176W	20800	176	118	0...+40°C		L80B50 100 000h	100 000h / 10%
1482x1482 S3	840HE 188W	22000	188	117	0...+40°C		L80B50 100 000h	100 000h / 10%
1482x1482 S3	840HO 208W	24000	208	115	0...+40°C		L80B50 100 000h	100 000h / 10%
1482x1482 S3	840HO 228W	25800	228	113	0...+40°C		L80B50 100 000h	100 000h / 10%
1482x1482 S3	840HO 252W	28200	252	112	0...+40°C		L80B50 100 000h	100 000h / 10%
1482x1482 S3	840HO 276W	30600	276	111	0...+40°C		L80B50 100 000h	100 000h / 10%

Luminaires	CRI	CCT	Optics	Length	Width	Height	Weight
SNEP® MODE CR SQUARE	CRI > 80	4000K	S3	1762mm	1762mm	78mm	18.5kg

Nimike	Technical name	lm**	W**	lm/W**	Ta	Taind	Lifetime	Failure rate
1762x1762 S3	840LO 88W	10600	88	120	0...+40°C		L80B50 100 000h	100 000h / 10%
1762x1762 S3	840LO 108W	13000	108	120	0...+40°C		L80B50 100 000h	100 000h / 10%
1762x1762 S3	840LO 128W	15400	128	120	0...+40°C		L80B50 100 000h	100 000h / 10%
1762x1762 S3	840HE 140W	17000	140	121	0...+40°C		L80B50 100 000h	100 000h / 10%
1762x1762 S3	840HE 156W	18600	156	119	0...+40°C		L80B50 100 000h	100 000h / 10%
1762x1762 S3	840HE 168W	20200	168	120	0...+40°C		L80B50 100 000h	100 000h / 10%
1762x1762 S3	840HE 196W	23200	196	118	0...+40°C		L80B50 100 000h	100 000h / 10%
1762x1762 S3	840HE 212W	24800	212	117	0...+40°C		L80B50 100 000h	100 000h / 10%
1762x1762 S3	840HE 224W	26400	224	118	0...+40°C		L80B50 100 000h	100 000h / 10%
1762x1762 S3	840HO 248W	28800	248	116	0...+40°C		L80B50 100 000h	100 000h / 10%
1762x1762 S3	840HO 272W	30800	272	113	0...+40°C		L80B50 100 000h	100 000h / 10%

1762x1762 S3	840HO 300W	34000	300	113	0...+40°C	L80B50 100 000h	100 000h / 10%
1762x1762 S3	840HO 328W	36600	328	112	0...+40°C	L80B50 100 000h	100 000h / 10%

Luminaire	CRI	CCT	Optics	Length	Width	Height	Weight
SNEP® MODE CR SQUARE	CRI > 80	4000K	S3	2322mm	2322mm	78mm	22.1kg

Nimike	Technical name	lm**	W**	lm/W**	Ta	Taind	Lifetime	Failure rate
2322x2322 S3	840LO 112W	14000	112	125	0...+40°C		L80B50 100 000h	100 000h / 10%
2322x2322 S3	840LO 140W	17200	140	123	0...+40°C		L80B50 100 000h	100 000h / 10%
2322x2322 S3	840HE 168W	20600	168	123	0...+40°C		L80B50 100 000h	100 000h / 10%
2322x2322 S3	840HE 188W	22800	188	121	0...+40°C		L80B50 100 000h	100 000h / 10%
2322x2322 S3	840HE 204W	24800	204	122	0...+40°C		L80B50 100 000h	100 000h / 10%
2322x2322 S3	840HE 224W	27000	224	121	0...+40°C		L80B50 100 000h	100 000h / 10%
2322x2322 S3	840HE 260W	31000	260	119	0...+40°C		L80B50 100 000h	100 000h / 10%
2322x2322 S3	840HO1 280W	33200	280	119	0...+40°C		L80B50 100 000h	100 000h / 10%
2322x2322 S3	840HO1 296W	35200	296	119	0...+40°C		L80B50 100 000h	100 000h / 10%
2322x2322 S3	840HO2 328W	38200	328	116	0...+40°C		L80B50 100 000h	100 000h / 10%
2322x2322 S3	840HO2 356W	41200	356	116	0...+40°C		L80B50 100 000h	100 000h / 10%
2322x2322 S3	840HO2 396W	45200	396	114	0...+40°C		L80B50 100 000h	100 000h / 10%
2322x2322 S3	840HO2 432W	48800	432	113	0...+40°C		L80B50 100 000h	100 000h / 10%

Luminaire	CRI	CCT	Optics	Length	Width	Height	Weight
SNEP® MODE CR SQUARE	CRI > 80	4000K	S3	2894mm	2894mm	78mm	29.6kg

Nimike	Technical name	lm**	W**	lm/W**	Ta	Taind	Lifetime	Failure rate
2894x2894 S3	840LO 140W	17600	140	126	0...+40°C		L80B50 100 000h	100 000h / 10%
2894x2894 S3	840LO 172W	21600	172	126	0...+40°C		L80B50 100 000h	100 000h / 10%
2894x2894 S3	840HE 208W	25800	208	124	0...+40°C		L80B50 100 000h	100 000h / 10%
2894x2894 S3	840HE 232W	28400	232	122	0...+40°C		L80B50 100 000h	100 000h / 10%
2894x2894 S3	840HE 252W	31000	252	123	0...+40°C		L80B50 100 000h	100 000h / 10%
2894x2894 S3	840HE 276W	33800	276	122	0...+40°C		L80B50 100 000h	100 000h / 10%
2894x2894 S3	840HE 324W	38800	324	120	0...+40°C		L80B50 100 000h	100 000h / 10%
2894x2894 S3	840HE 348W	41400	348	119	0...+40°C		L80B50 100 000h	100 000h / 10%
2894x2894 S3	840HE 372W	44000	372	118	0...+40°C		L80B50 100 000h	100 000h / 10%
2894x2894 S3	840HO 408W	47800	408	117	0...+40°C		L80B50 100 000h	100 000h / 10%

2894x2894 S3	840HO 444W	51400	444	116	0...+40°C	L80B50 100 000h	100 000h / 10%
2894x2894 S3	840HO 492W	56600	492	115	0...+40°C	L80B50 100 000h	100 000h / 10%
2894x2894 S3	840HO 536W	61000	536	114	0...+40°C	L80B50 100 000h	100 000h / 10%

Luminaires	CRI	CCT	Optics	Length	Width	Height	Weight
SNEP® MODE CR SQUARE	CRI > 80	4000K	S2	1482mm	1482mm	65mm	14kg

Nimike	Technical name	lm**	W**	lm/W**	Ta	Taind	Lifetime	Failure rate
1482x1482 S2	840LO 72W	10400	72	144	0...+40°C		L80B50 100 000h	100 000h / 10%
1482x1482 S2	840LO 92W	13000	92	141	0...+40°C		L80B50 100 000h	100 000h / 10%
1482x1482 S2	840LO 108W	15400	108	143	0...+40°C		L80B50 100 000h	100 000h / 10%
1482x1482 S2	840HE 120W	17000	120	142	0...+40°C		L80B50 100 000h	100 000h / 10%
1482x1482 S2	840HE 132W	18600	132	141	0...+40°C		L80B50 100 000h	100 000h / 10%
1482x1482 S2	840HE 140W	20200	140	144	0...+40°C		L80B50 100 000h	100 000h / 10%
1482x1482 S2	840HE 164W	23200	164	141	0...+40°C		L80B50 100 000h	100 000h / 10%
1482x1482 S2	840HE 176W	24800	176	141	0...+40°C		L80B50 100 000h	100 000h / 10%
1482x1482 S2	840HE 188W	26200	188	139	0...+40°C		L80B50 100 000h	100 000h / 10%
1482x1482 S2	840HO 208W	28600	208	138	0...+40°C		L80B50 100 000h	100 000h / 10%
1482x1482 S2	840HO 228W	30800	228	135	0...+40°C		L80B50 100 000h	100 000h / 10%
1482x1482 S2	840HO 252W	33800	252	134	0...+40°C		L80B50 100 000h	100 000h / 10%
1482x1482 S2	840HO 276W	36600	276	133	0...+40°C		L80B50 100 000h	100 000h / 10%

Luminaires	CRI	CCT	Optics	Length	Width	Height	Weight
SNEP® MODE CR SQUARE	CRI > 80	4000K	S2	1762mm	1762mm	65mm	17.5kg

Nimike	Technical name	lm**	W**	lm/W**	Ta	Taind	Lifetime	Failure rate
1762x1762 S2	840LO 88W	12600	88	143	0...+40°C		L80B50 100 000h	100 000h / 10%
1762x1762 S2	840LO 108W	15400	108	143	0...+40°C		L80B50 100 000h	100 000h / 10%
1762x1762 S2	840LO 128W	18400	128	144	0...+40°C		L80B50 100 000h	100 000h / 10%
1762x1762 S2	840HE 140W	20400	140	146	0...+40°C		L80B50 100 000h	100 000h / 10%
1762x1762 S2	840HE 156W	22200	156	142	0...+40°C		L80B50 100 000h	100 000h / 10%
1762x1762 S2	840HE 168W	24200	168	144	0...+40°C		L80B50 100 000h	100 000h / 10%
1762x1762 S2	840HE 196W	27800	196	142	0...+40°C		L80B50 100 000h	100 000h / 10%
1762x1762 S2	840HE 212W	29800	212	141	0...+40°C		L80B50 100 000h	100 000h / 10%
1762x1762 S2	840HE 224W	31600	224	141	0...+40°C		L80B50 100 000h	100 000h / 10%

1762x1762 S2	840HO 248W	34400	248	139	0...+40°C	L80B50 100 000h	100 000h / 10%
1762x1762 S2	840HO 272W	37000	272	136	0...+40°C	L80B50 100 000h	100 000h / 10%
1762x1762 S2	840HO 300W	40600	300	135	0...+40°C	L80B50 100 000h	100 000h / 10%
1762x1762 S2	840HO 328W	43800	328	134	0...+40°C	L80B50 100 000h	100 000h / 10%

Luminaires	CRI	CCT	Optics	Length	Width	Height	Weight
SNEP® MODE CR SQUARE	CRI > 80	4000K	S2	2322mm	2322mm	65mm	20.9kg

Nimike	Technical name	lm**	W**	lm/W**	Ta	Taind	Lifetime	Failure rate
2322x2322 S2	840LO 112W	16800	112	150	0...+40°C	L80B50 100 000h	100 000h / 10%	
2322x2322 S2	840LO 140W	20600	140	147	0...+40°C	L80B50 100 000h	100 000h / 10%	
2322x2322 S2	840HE 168W	24600	168	146	0...+40°C	L80B50 100 000h	100 000h / 10%	
2322x2322 S2	840HE 188W	27200	188	145	0...+40°C	L80B50 100 000h	100 000h / 10%	
2322x2322 S2	840HE 204W	29600	204	145	0...+40°C	L80B50 100 000h	100 000h / 10%	
2322x2322 S2	840HE 224W	32200	224	144	0...+40°C	L80B50 100 000h	100 000h / 10%	
2322x2322 S2	840HE 260W	37200	260	143	0...+40°C	L80B50 100 000h	100 000h / 10%	
2322x2322 S2	840HO1 280W	39600	280	141	0...+40°C	L80B50 100 000h	100 000h / 10%	
2322x2322 S2	840HO1 296W	42000	296	142	0...+40°C	L80B50 100 000h	100 000h / 10%	
2322x2322 S2	840HO2 328W	45800	328	140	0...+40°C	L80B50 100 000h	100 000h / 10%	
2322x2322 S2	840HO2 356W	49200	356	138	0...+40°C	L80B50 100 000h	100 000h / 10%	
2322x2322 S2	840HO2 396W	54200	396	137	0...+40°C	L80B50 100 000h	100 000h / 10%	
2322x2322 S2	840HO2 432W	58400	432	135	0...+40°C	L80B50 100 000h	100 000h / 10%	

Luminaires	CRI	CCT	Optics	Length	Width	Height	Weight
SNEP® MODE CR SQUARE	CRI > 80	4000K	S2	2894mm	2894mm	65mm	28kg

Nimike	Technical name	lm**	W**	lm/W**	Ta	Taind	Lifetime	Failure rate
2894x2894 S2	840LO 140W	21000	140	150	0...+40°C	L80B50 100 000h	100 000h / 10%	
2894x2894 S2	840LO 172W	25800	172	150	0...+40°C	L80B50 100 000h	100 000h / 10%	
2894x2894 S2	840HE 208W	30800	208	148	0...+40°C	L80B50 100 000h	100 000h / 10%	
2894x2894 S2	840HE 232W	34200	232	147	0...+40°C	L80B50 100 000h	100 000h / 10%	
2894x2894 S2	840HE 252W	37200	252	148	0...+40°C	L80B50 100 000h	100 000h / 10%	
2894x2894 S2	840HE 276W	40400	276	146	0...+40°C	L80B50 100 000h	100 000h / 10%	
2894x2894 S2	840HE 324W	46400	324	143	0...+40°C	L80B50 100 000h	100 000h / 10%	
2894x2894 S2	840HE 348W	49600	348	143	0...+40°C	L80B50 100 000h	100 000h / 10%	

2894x2894 S2	840HE 372W	52600	372	141	0...+40°C	L80B50 100 000h	100 000h / 10%
2894x2894 S2	840HO 408W	57200	408	140	0...+40°C	L80B50 100 000h	100 000h / 10%
2894x2894 S2	840HO 444W	61600	444	139	0...+40°C	L80B50 100 000h	100 000h / 10%
2894x2894 S2	840HO 492W	67600	492	137	0...+40°C	L80B50 100 000h	100 000h / 10%
2894x2894 S2	840HO 536W	73000	536	136	0...+40°C	L80B50 100 000h	100 000h / 10%

Luminaires	CRI	CCT	Optics	Length	Width	Height	Weight
SNEP® MODE CR SQUARE	CRI > 80	4000K	M1	1482mm	1482mm	65mm	14kg

Nimike	Technical name	lm**	W**	lm/W**	Ta	Taind	Lifetime	Failure rate
1482x1482 M1	840LO 72W	10000	72	139	0...+40°C		L80B50 100 000h	100 000h / 10%
1482x1482 M1	840LO 92W	12200	92	133	0...+40°C		L80B50 100 000h	100 000h / 10%
1482x1482 M1	840LO 108W	14600	108	135	0...+40°C		L80B50 100 000h	100 000h / 10%
1482x1482 M1	840HE 120W	16200	120	135	0...+40°C		L80B50 100 000h	100 000h / 10%
1482x1482 M1	840HE 132W	17600	132	133	0...+40°C		L80B50 100 000h	100 000h / 10%
1482x1482 M1	840HE 140W	19200	140	137	0...+40°C		L80B50 100 000h	100 000h / 10%
1482x1482 M1	840HE 164W	22000	164	134	0...+40°C		L80B50 100 000h	100 000h / 10%
1482x1482 M1	840HE 176W	23600	176	134	0...+40°C		L80B50 100 000h	100 000h / 10%
1482x1482 M1	840HE 188W	25000	188	133	0...+40°C		L80B50 100 000h	100 000h / 10%
1482x1482 M1	840HO 208W	27200	208	131	0...+40°C		L80B50 100 000h	100 000h / 10%
1482x1482 M1	840HO 228W	29200	228	128	0...+40°C		L80B50 100 000h	100 000h / 10%
1482x1482 M1	840HO 252W	32200	252	128	0...+40°C		L80B50 100 000h	100 000h / 10%
1482x1482 M1	840HO 276W	34600	276	125	0...+40°C		L80B50 100 000h	100 000h / 10%

Luminaires	CRI	CCT	Optics	Length	Width	Height	Weight
SNEP® MODE CR SQUARE	CRI > 80	4000K	M1	1762mm	1762mm	65mm	17.5kg

Nimike	Technical name	lm**	W**	lm/W**	Ta	Taind	Lifetime	Failure rate
1762x1762 M1	840LO 88W	12000	88	136	0...+40°C		L80B50 100 000h	100 000h / 10%
1762x1762 M1	840LO 108W	14600	108	135	0...+40°C		L80B50 100 000h	100 000h / 10%
1762x1762 M1	840LO 128W	17600	128	138	0...+40°C		L80B50 100 000h	100 000h / 10%
1762x1762 M1	840HE 140W	19400	140	139	0...+40°C		L80B50 100 000h	100 000h / 10%
1762x1762 M1	840HE 156W	21200	156	136	0...+40°C		L80B50 100 000h	100 000h / 10%
1762x1762 M1	840HE 168W	23000	168	137	0...+40°C		L80B50 100 000h	100 000h / 10%
1762x1762 M1	840HE 196W	26400	196	135	0...+40°C		L80B50 100 000h	100 000h / 10%

1762x1762 M1	840HE 212W	28200	212	133	0...+40°C	L80B50 100 000h	100 000h / 10%
1762x1762 M1	840HE 224W	30000	224	134	0...+40°C	L80B50 100 000h	100 000h / 10%
1762x1762 M1	840HO 248W	32600	248	131	0...+40°C	L80B50 100 000h	100 000h / 10%
1762x1762 M1	840HO 272W	35000	272	129	0...+40°C	L80B50 100 000h	100 000h / 10%
1762x1762 M1	840HO 300W	38600	300	129	0...+40°C	L80B50 100 000h	100 000h / 10%
1762x1762 M1	840HO 328W	41600	328	127	0...+40°C	L80B50 100 000h	100 000h / 10%

Luminaires	CRI	CCT	Optics	Length	Width	Height	Weight
SNEP® MODE CR SQUARE	CRI > 80	4000K	M1	2322mm	2322mm	65mm	20.9kg

Nimike	Technical name	lm**	W**	lm/W**	Ta	Taind	Lifetime	Failure rate
2322x2322 M1	840LO 112W	16000	112	143	0...+40°C	L80B50 100 000h	100 000h / 10%	
2322x2322 M1	840LO 140W	19600	140	140	0...+40°C	L80B50 100 000h	100 000h / 10%	
2322x2322 M1	840HE 168W	23400	168	139	0...+40°C	L80B50 100 000h	100 000h / 10%	
2322x2322 M1	840HE 188W	26000	188	138	0...+40°C	L80B50 100 000h	100 000h / 10%	
2322x2322 M1	840HE 204W	28200	204	138	0...+40°C	L80B50 100 000h	100 000h / 10%	
2322x2322 M1	840HE 224W	30600	224	137	0...+40°C	L80B50 100 000h	100 000h / 10%	
2322x2322 M1	840HE 260W	35200	260	135	0...+40°C	L80B50 100 000h	100 000h / 10%	
2322x2322 M1	840HO1 280W	37600	280	134	0...+40°C	L80B50 100 000h	100 000h / 10%	
2322x2322 M1	840HO1 296W	40000	296	135	0...+40°C	L80B50 100 000h	100 000h / 10%	
2322x2322 M1	840HO2 328W	43600	328	133	0...+40°C	L80B50 100 000h	100 000h / 10%	
2322x2322 M1	840HO2 356W	46800	356	131	0...+40°C	L80B50 100 000h	100 000h / 10%	
2322x2322 M1	840HO2 396W	51400	396	130	0...+40°C	L80B50 100 000h	100 000h / 10%	
2322x2322 M1	840HO2 432W	55400	432	128	0...+40°C	L80B50 100 000h	100 000h / 10%	

Luminaires	CRI	CCT	Optics	Length	Width	Height	Weight
SNEP® MODE CR SQUARE	CRI > 80	4000K	M1	2894mm	2894mm	65mm	28kg

Nimike	Technical name	lm**	W**	lm/W**	Ta	Taind	Lifetime	Failure rate
2894x2894 M1	840LO 140W	20000	140	143	0...+40°C	L80B50 100 000h	100 000h / 10%	
2894x2894 M1	840LO 172W	24400	172	142	0...+40°C	L80B50 100 000h	100 000h / 10%	
2894x2894 M1	840HE 208W	29200	208	140	0...+40°C	L80B50 100 000h	100 000h / 10%	
2894x2894 M1	840HE 232W	32400	232	140	0...+40°C	L80B50 100 000h	100 000h / 10%	
2894x2894 M1	840HE 252W	35200	252	140	0...+40°C	L80B50 100 000h	100 000h / 10%	
2894x2894 M1	840HE 276W	38400	276	139	0...+40°C	L80B50 100 000h	100 000h / 10%	

2894x2894 M1 840HE 324W	44000	324	136	0...+40°C	L80B50 100 000h	100 000h / 10%
2894x2894 M1 840HE 348W	47200	348	136	0...+40°C	L80B50 100 000h	100 000h / 10%
2894x2894 M1 840HE 372W	50000	372	134	0...+40°C	L80B50 100 000h	100 000h / 10%
2894x2894 M1 840HO 408W	54400	408	133	0...+40°C	L80B50 100 000h	100 000h / 10%
2894x2894 M1 840HO 444W	58400	444	132	0...+40°C	L80B50 100 000h	100 000h / 10%
2894x2894 M1 840HO 492W	64200	492	130	0...+40°C	L80B50 100 000h	100 000h / 10%
2894x2894 M1 840HO 536W	69400	536	129	0...+40°C	L80B50 100 000h	100 000h / 10%

*Values are given in normal ambient temperature +25°C
For non condensing environment or use
Through cabling length tolerance from the luminaire ends ±10%
Input power tolerance is ±5% and light output tolerance is ±7%