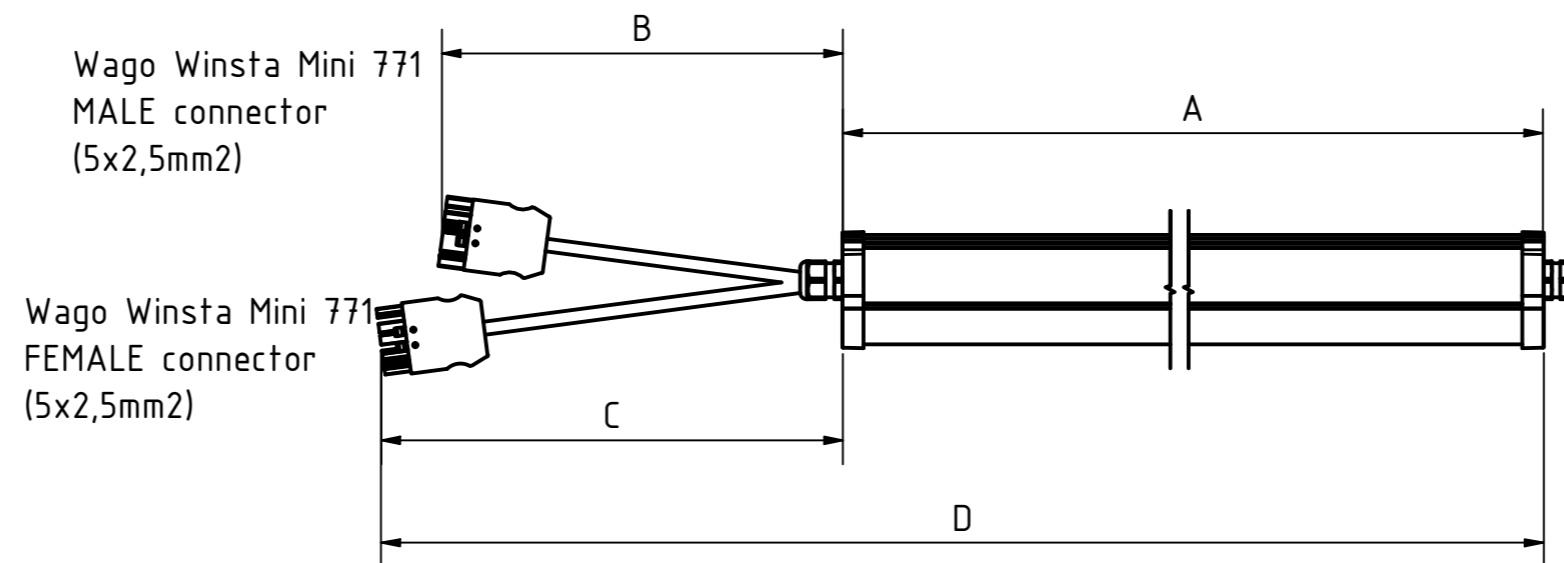


Läpipohtaus Wago Winsta liitoskaapeleilla
Through wiring with Wago Winsta connector
Genomgående kabeldragning med Wago Winsta kontakt
Durchangsverdrahtung mit Wago Winsta Stecker



=2W1W Cable 2+1m			
LUMINAIRE (A)	CABLE (B)	CABLE (C)	TOTAL LENGTH (D)
580	1950	950	2530
1140	1950	950	3090
1420	1950	950	3370

=2W2W Cable 2+2m			
LUMINAIRE (A)	CABLE (B)	CABLE (C)	TOTAL LENGTH (D)
580	1950	1950	2530
1140	1950	1950	3090
1420	1950	1950	3370

=2W3W Cable 2+3m			
LUMINAIRE (A)	CABLE (B)	CABLE (C)	TOTAL LENGTH (D)
580	1950	2950	3530
1140	1950	2950	4090
1420	1950	2950	4370

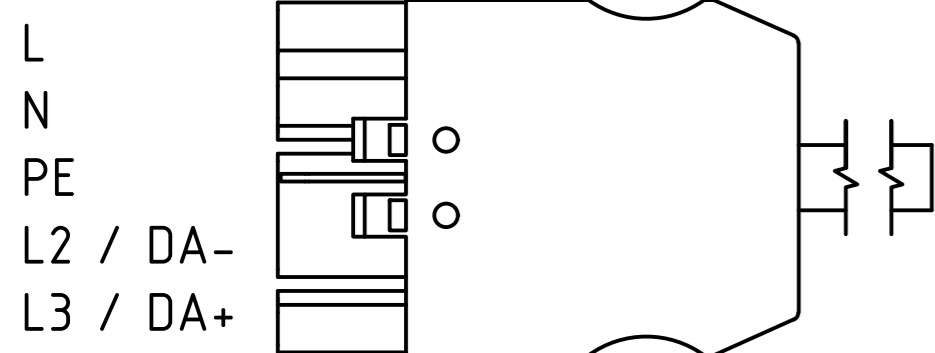
=2W4W Cable 2+4m			
LUMINAIRE (A)	CABLE (B)	CABLE (C)	TOTAL LENGTH (D)
580	1950	3950	4530
1140	1950	3950	5090
1420	1950	3950	5370

=2W5W Cable 2+5m			
LUMINAIRE (A)	CABLE (B)	CABLE (C)	TOTAL LENGTH (D)
580	1950	4950	5530
1140	1950	4950	6090
1420	1950	4950	6370

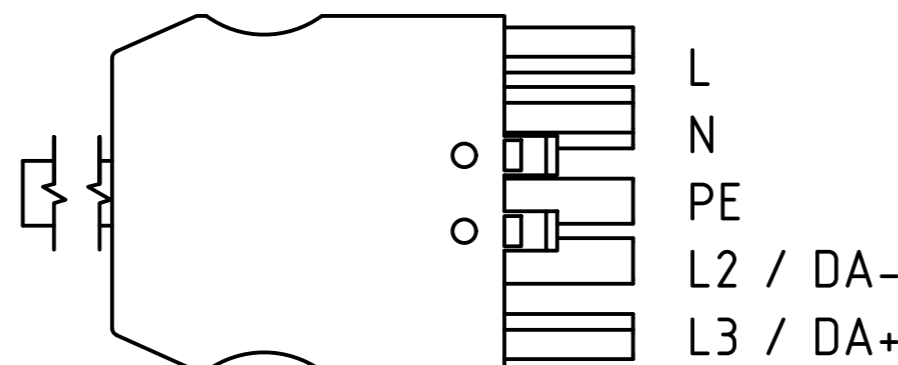
=2W6W Cable 2+6m			
LUMINAIRE (A)	CABLE (B)	CABLE (C)	TOTAL LENGTH (D)
580	1950	5950	6530
1140	1950	5950	7090
1420	1950	5950	7370

=2W8W Cable 2+8m			
LUMINAIRE (A)	CABLE (B)	CABLE (C)	TOTAL LENGTH (D)
580	1950	7950	8530
1140	1950	7950	9090
1420	1950	7950	9370

Pituus (D) toleranssi ±0,1m
 The stated length (D) tolerance ±0,1m



Wago Winsta Mini 771
 MALE connector
 (5x2,5mm²)



Wago Winsta Mini 771
 FEMALE connector
 (5x2,5mm²)

(Ruskea/Brown/Brun/Braun)
 (Sininen/Blue/Blå/Blau)
 (Keltavihreä/Yellow-Green/Gul-Grön/Grüngelb)
 (Musta/Black/Svart/Schwarz)
 (Harmaa/Grey/Grå/Grau)

Cable insulation options	Code
MSK / PVC / H05VV-F	
MSK / PVC / H05VV-F	DA
MSK / HF / H05Z1Z1-F	HF / HFDA
VSN / VSKB / H07RN-F	R / RDA
VSN / VSKB / H07ZZ-F	RHF / RHFDA

Cables		
Code	Description	Cable type
=2W1W	5x2,5mm ² , 2m 5x2,5mm ² , 1m	H05VV-F
=2W2W	5x2,5mm ² , 2m 5x2,5mm ² , 2m	H05VV-F
=2W3W	5x2,5mm ² , 2m 5x2,5mm ² , 3m	H05VV-F
=2W4W	5x2,5mm ² , 2m 5x2,5mm ² , 4m	H05VV-F
=2W5W	5x2,5mm ² , 2m 5x2,5mm ² , 5m	H05VV-F
=2W6W	5x2,5mm ² , 2m 5x2,5mm ² , 6m	H05VV-F
=2W8W	5x2,5mm ² , 2m 5x2,5mm ² , 8m	H05VV-F
=2W1W HF	5x2,5mm ² , 2m 5x2,5mm ² , 1m	H05Z1Z1-F
=2W2W HF	5x2,5mm ² , 2m 5x2,5mm ² , 2m	H05Z1Z1-F
=2W3W HF	5x2,5mm ² , 2m 5x2,5mm ² , 3m	H05Z1Z1-F
=2W4W HF	5x2,5mm ² , 2m 5x2,5mm ² , 4m	H05Z1Z1-F
=2W5W HF	5x2,5mm ² , 2m 5x2,5mm ² , 5m	H05Z1Z1-F
=2W6W HF	5x2,5mm ² , 2m 5x2,5mm ² , 6m	H05Z1Z1-F
=2W8W HF	5x2,5mm ² , 2m 5x2,5mm ² , 8m	H05Z1Z1-F
=2W1W DA	5x2,5mm ² , 2m 5x2,5mm ² , 1m	H05VV-F
=2W2W DA	5x2,5mm ² , 2m 5x2,5mm ² , 2m	H05VV-F
=2W3W DA	5x2,5mm ² , 2m 5x2,5mm ² , 3m	H05VV-F
=2W4W DA	5x2,5mm ² , 2m 5x2,5mm ² , 4m	H05VV-F
=2W5W DA	5x2,5mm ² , 2m 5x2,5mm ² , 5m	H05VV-F
=2W6W DA	5x2,5mm ² , 2m 5x2,5mm ² , 6m	H05VV-F
=2W8W DA	5x2,5mm ² , 2m 5x2,5mm ² , 8m	H05VV-F
=2W1W HFDA	5x2,5mm ² , 2m 5x2,5mm ² , 1m	H05Z1Z1-F
=2W2W HFDA	5x2,5mm ² , 2m 5x2,5mm ² , 2m	H05Z1Z1-F
=2W3W HFDA	5x2,5mm ² , 2m 5x2,5mm ² , 3m	H05Z1Z1-F
=2W4W HFDA	5x2,5mm ² , 2m 5x2,5mm ² , 4m	H05Z1Z1-F
=2W5W HFDA	5x2,5mm ² , 2m 5x2,5mm ² , 5m	H05Z1Z1-F
=2W6W HFDA	5x2,5mm ² , 2m 5x2,5mm ² , 6m	H05Z1Z1-F
=2W8W HFDA	5x2,5mm ² , 2m 5x2,5mm ² , 8m	H05Z1Z1-F

HUOM!
 Pituus (D) on maksimimitta, jonka kullakin kaapeliparilla voi saavuttaa.
 On suositeltavaa jättää tarvittava pelivara asennukselle (esim. jos kaapelia täytyy taivutella, kiertää esteitä tms.).

Esimerkkejä kaapelivalinnoista:
 Examples of cable codes:
 =2W1W (Cable 2m+1m, H05VV-F, PVC)
 =2W5W HF (Cable 2m+5m, H05Z1Z1-F, halogen-free)

ATTENTION! Length (D) is the absolut maximum through-wiring distance.
 It is advised to leave some leeway for assembling (e.g. if the cable needs to be bend etc.).