

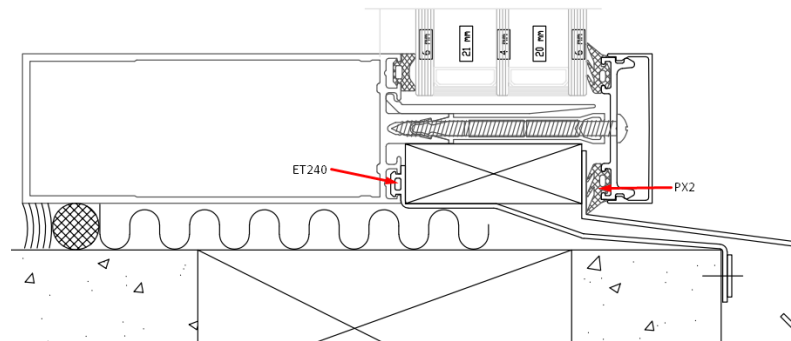
News-Letter

2022-10-12

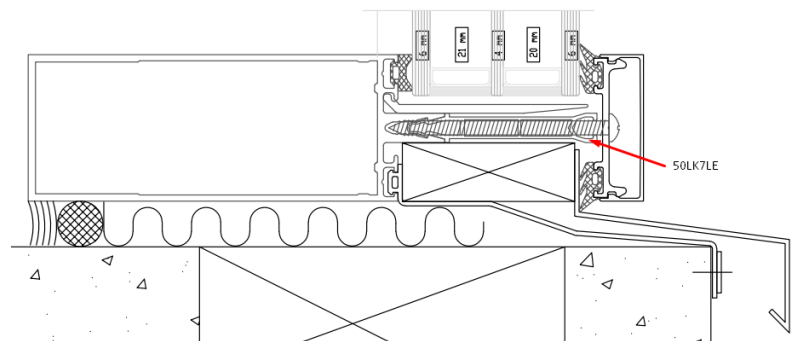
DataBase – 2604

What's New:

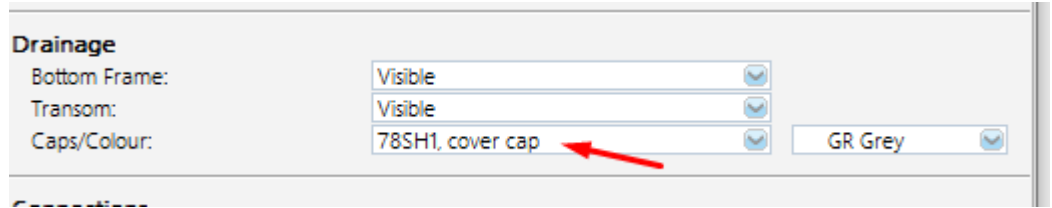
- P50L/S added gasket to wall connection, + in bottom part gasket ET240 (by default)



- Corrected thermal break with 57mm thickness glass



- Position properties, Caps/colours fixed



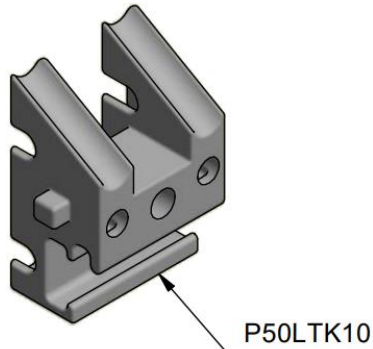
- P50L- 50KOURU2 fixed quantity

Tested with Project: fields in width-3, height-3, width- 3m and height-14m

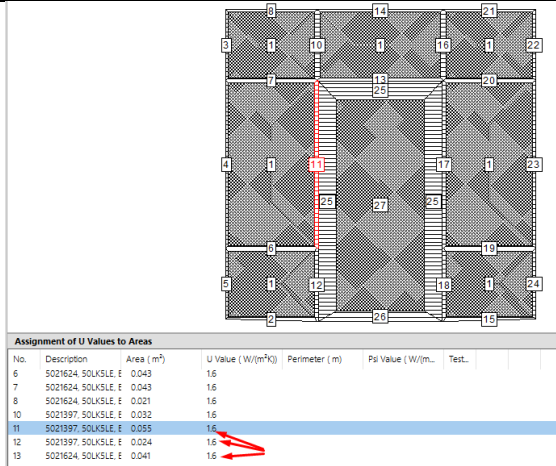
Secondary Profiles and Accessories

drainage flute	50KOURU2	12 Pcs
P50L alapän jatkososa ET240		
:lle	P50LTK10	4 Pcs
Fixingscrew for P50LTK10 4,2		
x32mm, A2, DIN 7981	RUUVI4232	4 Pcs

- P50LTK10 from now on by default, no need to add from Material package



- LK78X to P50L fixed U-value



What's Coming:

- Expire dates warning to old system
- Improved view in LK100eco Hardware (soft-close, stopper)
- Compensators for P50L and wall connection
- Element façade system in PursoCal
- LK78X RC3

Edgard Morozov

Technical assistant

edgard.morozov@purso.com

+370 619 66 222