

Greetings from Siuro,

First quarter of 2022 is starting to be in finish line and summer activities are already at hand. In Purso's Building Systems, the year has gone fast and different situations have brought their own spice to making: the availability of different raw materials, their prices and external logistics capacity problems have plagued us all for some time.

In addition to everything what we do on a daily basis, our product development has developed two major new products in our selection; Element (unitized) facade system and fire exterior door. The launch webinar of element façade system was held in May and the launch of the exterior fire door will take place in August, immediately after the holiday season.

In our production, the layout and material circulation have been developed, with the aim of shortening the turnaround time of the products and thereby the delivery time towards our customers.

Sales have also looked solutions for faster order processing so that we could serve our customers even faster and more accurate.

Purso Building Systems is at your service throughout the summer season. During holiday season of your regular contact, you will receive assistance from other members of our team.

Wishing you a relaxing summer on behalf of Purso Building Systems,

A handwritten signature in blue ink, appearing to read 'Tommi Kahiluoto'.

Tommi Kahiluoto

Business Director



Purso customer release 15.7.2022

New Systems

P94 EI30 CE-marked fire resistant door system

P65E Unitized facade system

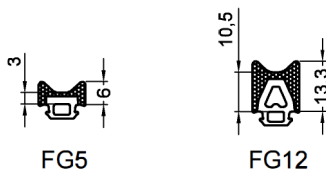
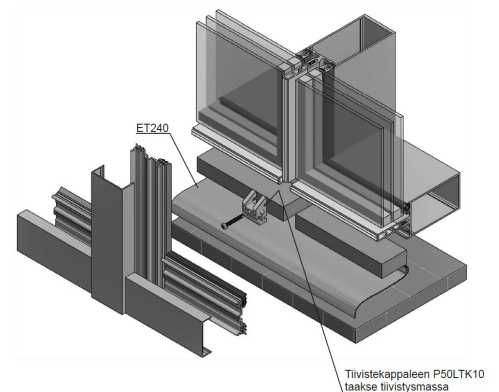
LK90eco EI30 CE-marked openable and fixed fire resistant window

Ask more information from building systems Sales! Technical support is available in technical issues and product training: buildinginfo@purso.fi

Brochure / manufacturing instructions updates

P50L facade systems

- Sealing piece P50LTK10 replaces 50KOURU2 in the bottom of vertical frame profile
- Sealing the lower part of the vertical profile
 - ET240 rubber mat goes through continuously
- New frame/ main gaskets FG5 and FG12 will replace old RT5LE ja RT12LE -gaskets
 - Easy installation



P50L Glass roof

- Ventria smoke window added



LK90ecoEI30 Eco- fire resistant window

- Design brochure; fixed and openable window
- Manufacturing manual



P94EI30 Insulated fire resistant door system

- Brochure
- Manufacturing manual

LK78X Highly insulated door/ window system

- Tilt/ Turn window maximum size increased. Now possible 1600x2000.

A more detailed list of all updates from 2021 can be found on Purso's website:

https://purso.fi/wp-content/uploads/2022/07/Purso_Dokumentaatiopaivitykset-1.xlsx

PursoCal updates

- LK90ecoEI30 system
- P94 EI30 system
- Machining updates
- Added Screws/ fastenings

Coming PursoCal updates

- P65E element system
- PursoCal 11 will be updated in the Autumn as PursoCal 12
 - **It is recommended to make a backup before upgrading!**
- Powder Coating gloss can be chosen
- P50L will be updated for new seals + system update



Testing Center

Preparation of Purso Testing Center is in progress! Testing Center is located in Siuro in connection with the business park and will serve both customers and system testing needs.

When complete, the space will allow:

- System manufacturing trainings
- CNC -machining inspections / PursoCal compatibility
- Full size Weather testing for door, window and facade systems according to standards:
 - Water
 - Air permeability
 - Wind Load



Best Regards

Team Purso Building Systems

<https://www.linkedin.com/company/purso/>

www.purso.fi

