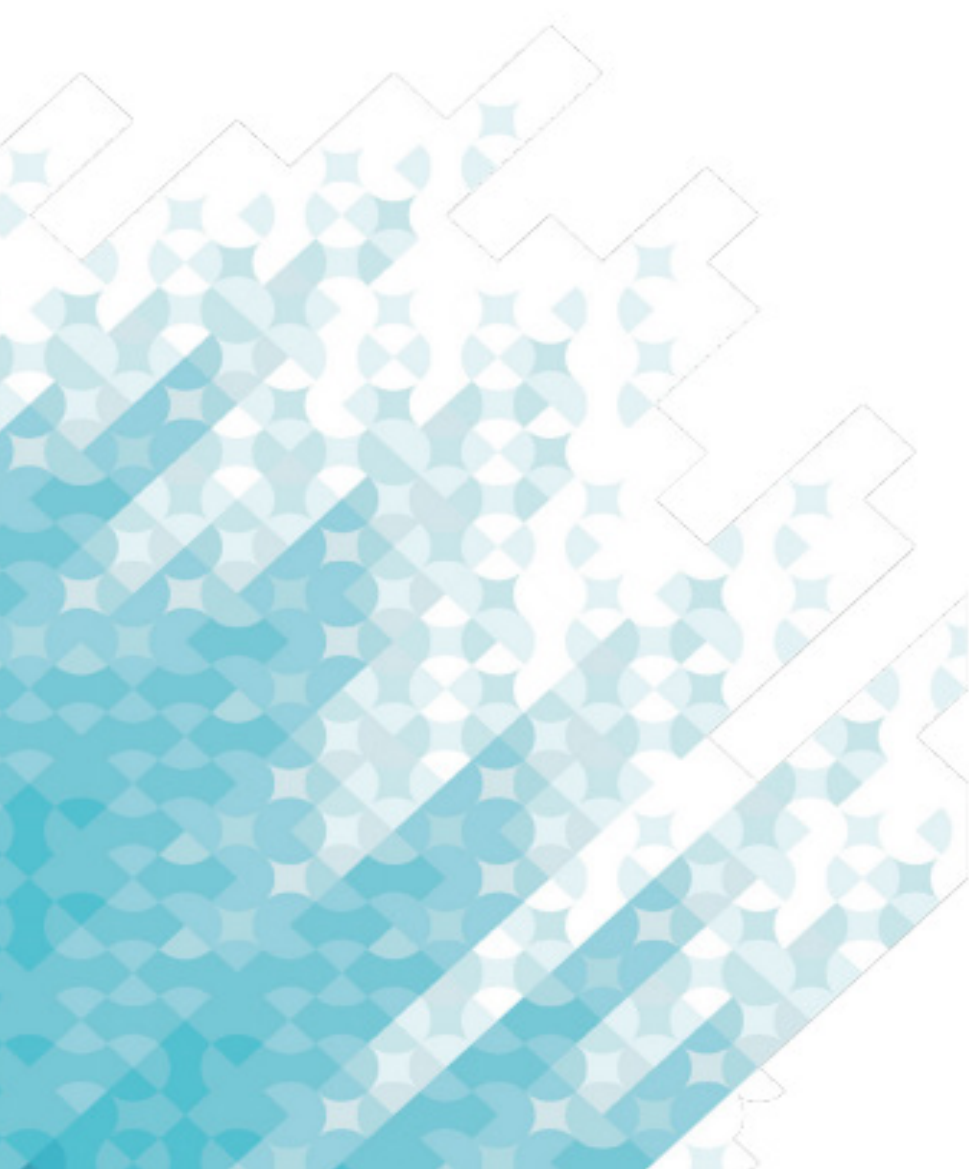


2023-03-22



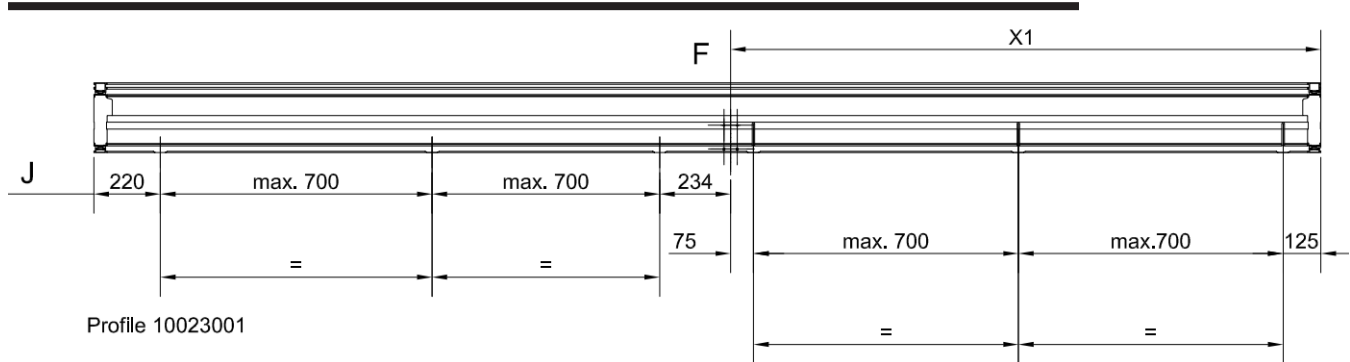
PursoCal
News-Letter

DataBase-2829



What's New

LK100eco fixed distance between drainage holes, from max. 800mm. ---> to max. 700mm.

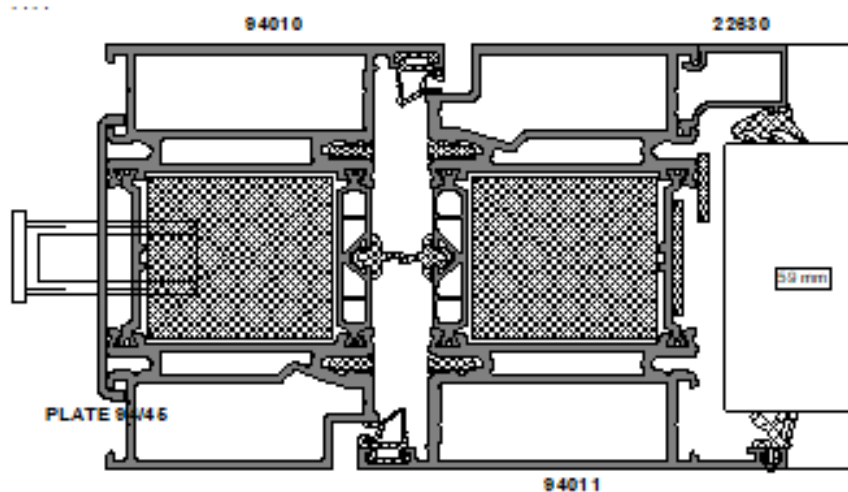


New system - LK90X.

The screenshot shows a software interface for selecting a profile system. The 'Profile System' dropdown menu is open, displaying a list of options. The 'Purso LK 90X' option is highlighted. The list includes: Purso LK 90X, Purso LK 78X, Purso LK 75 ECO, Purso LK 90 ECO, Purso LK 90 ECO EI30, Purso LK 90H, Purso LK 90X, Purso LK 100 ECO, Purso P50, Purso P50 OUTWARD, Purso P50 Sliding Door (System expires on 3/31/23), and Purso P50L (New) (B). To the right of the dropdown menu is a technical drawing of a drainage profile, showing a cross-section of the profile with a drainage hole and a filter.

What's New

P94 adjufix AH38 + plate 94/45 in cross section.



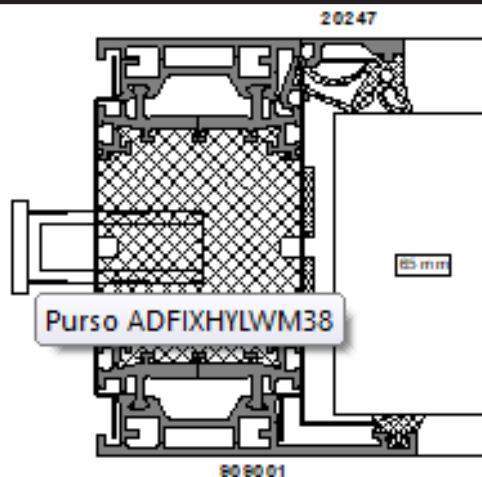
LK90eco/LK90eco EI30 Adjufix machining added.



What's New

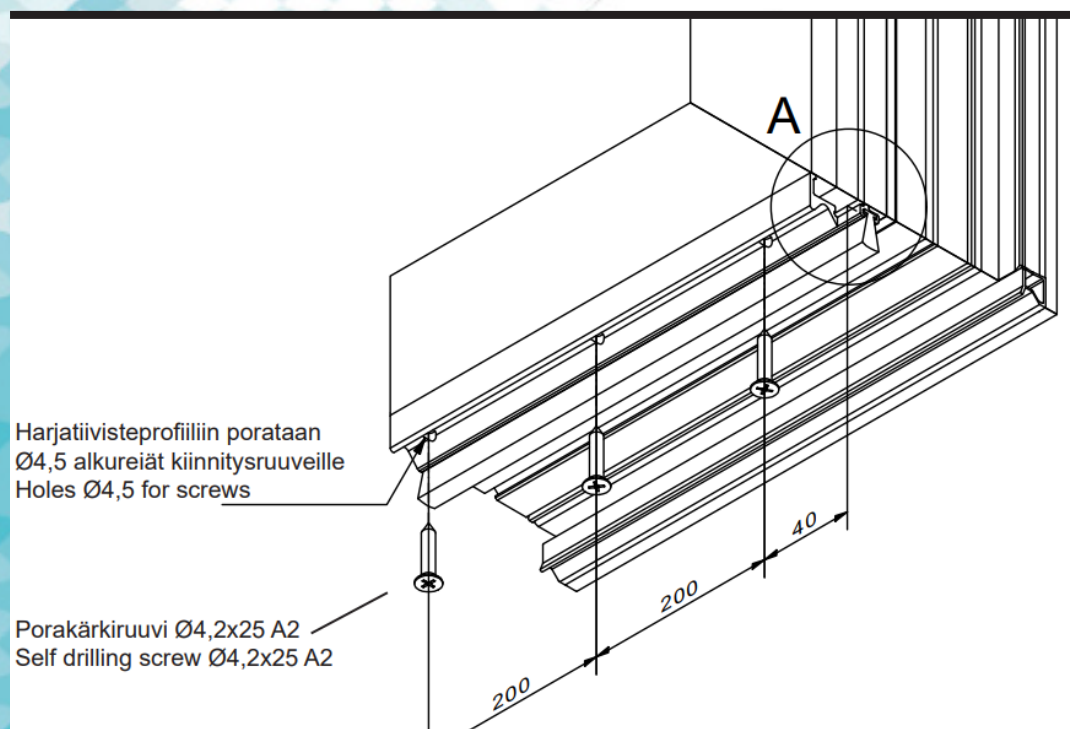
LK90eco/LK90eco EI30

Replaced adjufix AH38 to Adjufix WM38.



Improved translation in Article descriptions:
EN, FI, SWE languages.

LK78X/SW for Brush profile 18538 fixation added screws
ECO100RUUVI4225 to the material list.



What's New

LK90X added Wall connection machining (optional) on profiles 901130 -901230 if doors fixated to facade. Instruction page 9.0, 9.1, 9.2.

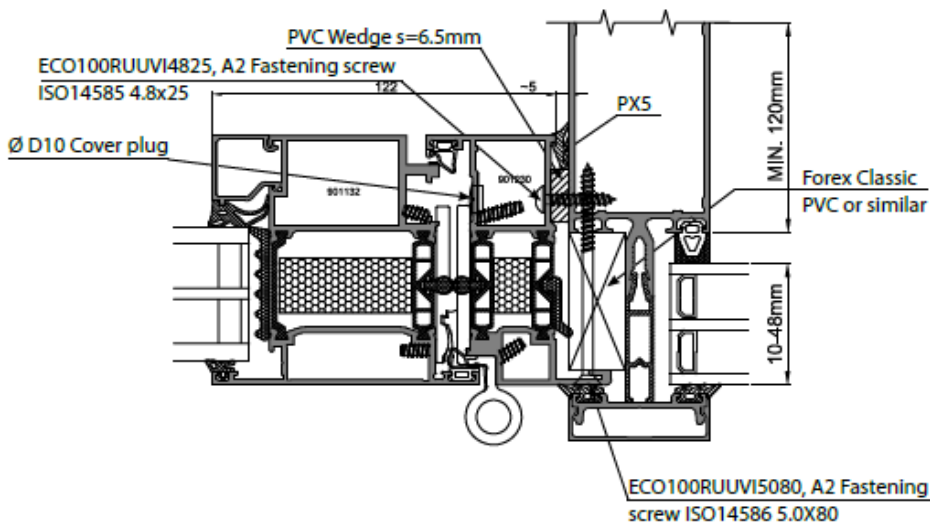


Manufacturing manual

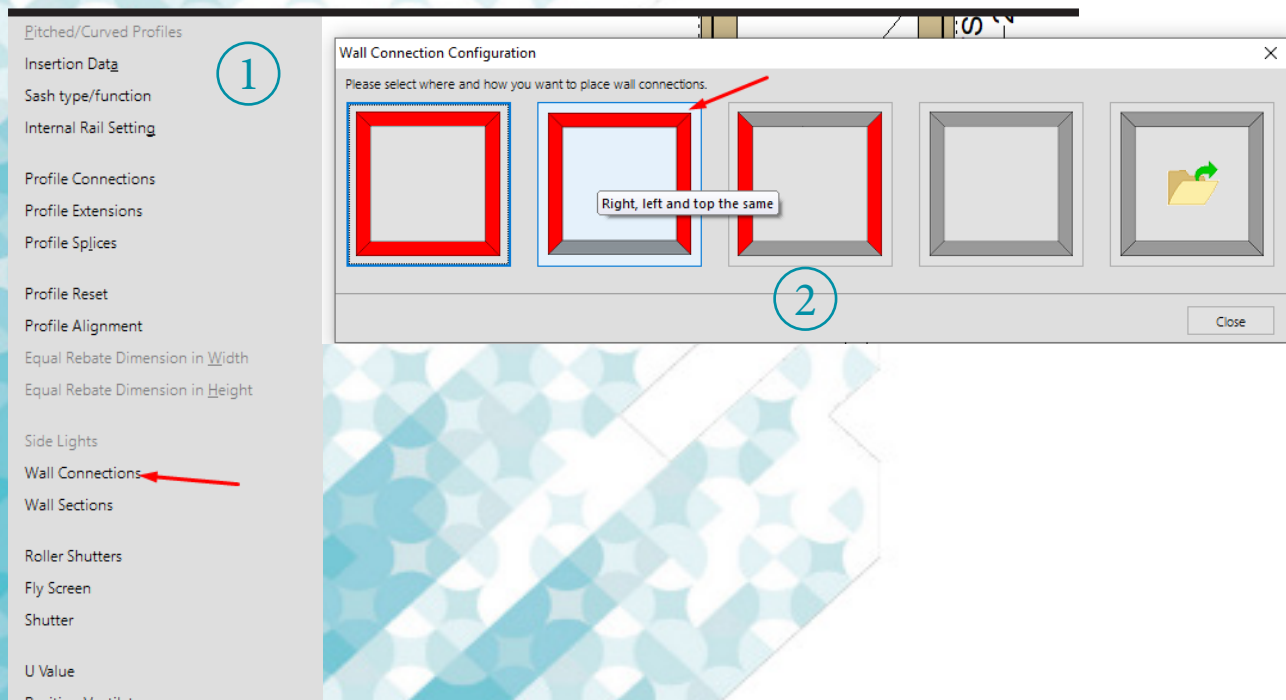
LK90X

9.0

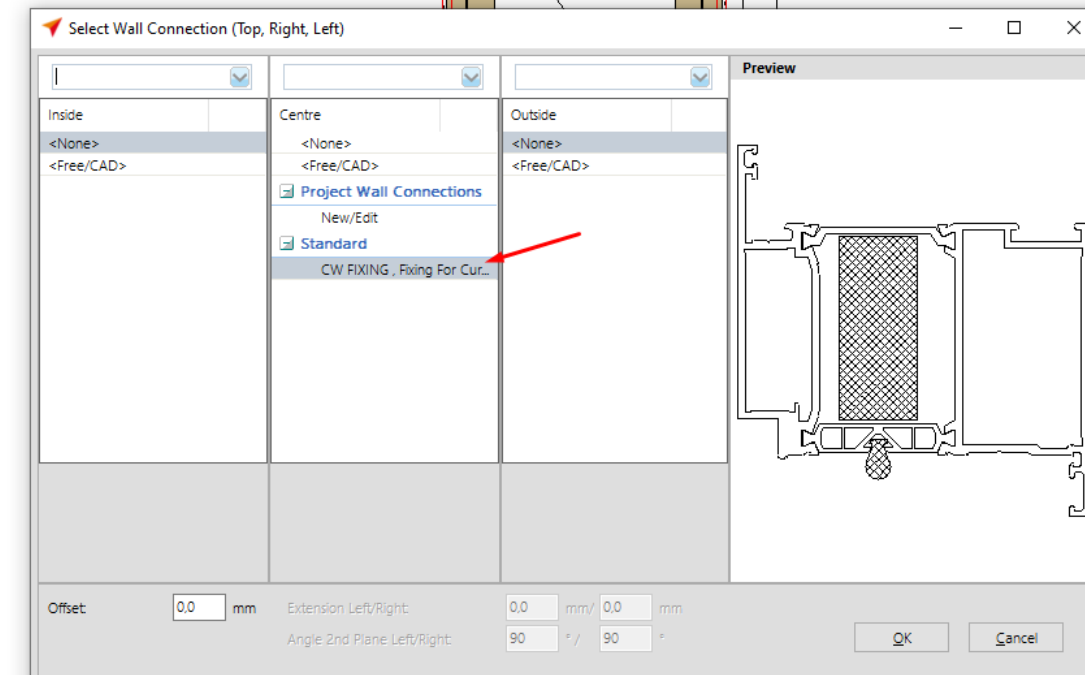
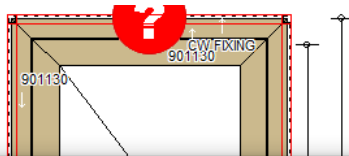
JOINING LK90X BALCONY DOORS TO P50L-SERIES



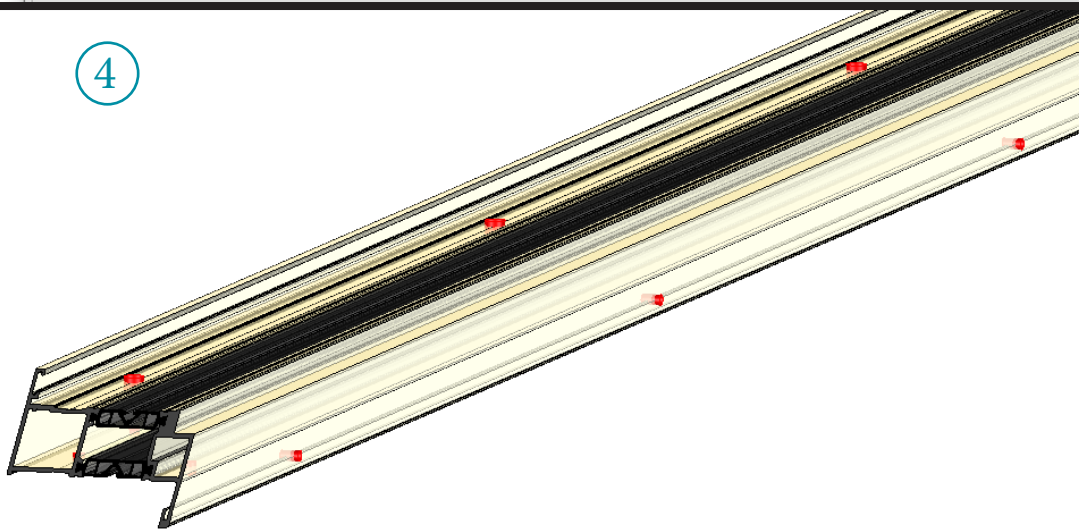
How it can be added in PursoCal?



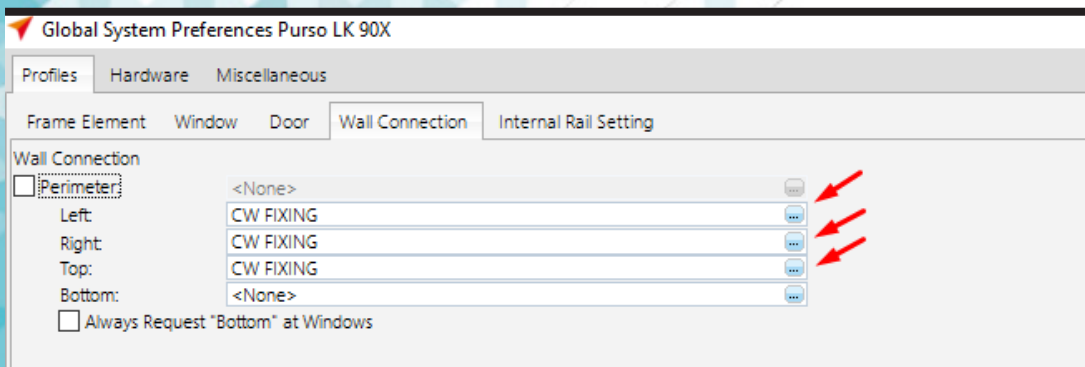
3



4



If need to have this machining by default, you can add it in the Global preference or Job preference:



What's Coming

- LK100eco to P50L facade
- New corner connection to LK100eco frame
- LK78SW Bending protection
- Compensators between P50L and wall
- New sliding rail 23369
- Adjufix for LK90X
- Improved P50S

Contacts:

Edgard Morozov
Technical assistant
Edgard.morozov@purso.com
+370 619 66 222

Customer and Architect support
Buildinginfo@purso.fi
+358 334 04 600