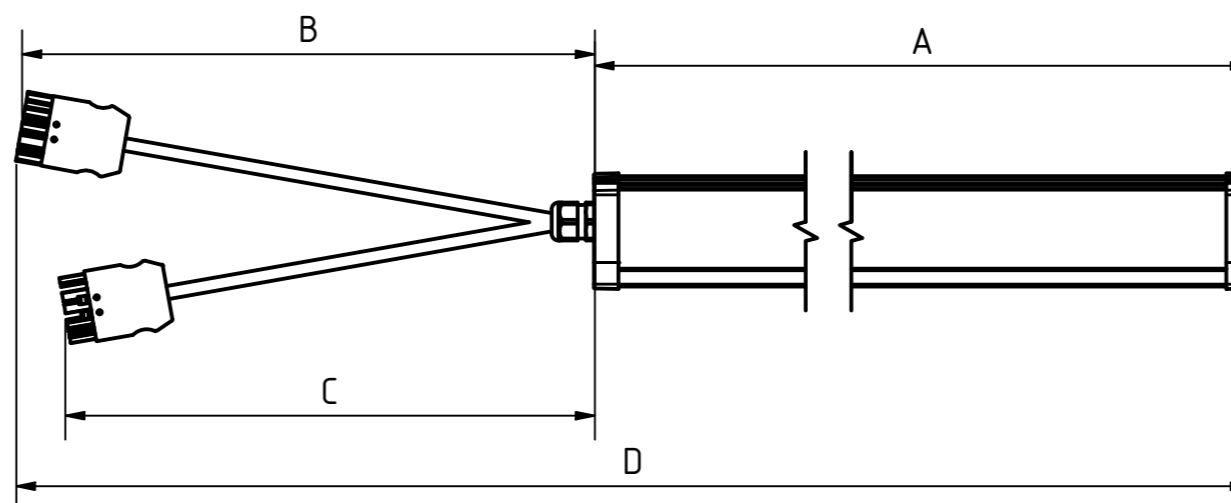


**Läpipohtos Wago Winsta liitoskaapeleilla**  
**Through wiring with Wago Winsta connector**  
**Genomgående kabeldragning med Wago Winsta kontakt**  
**Durchgangsverdrahtung mit Wago Winsta Stecker**

Wago Winsta Mini 771  
 FEMALE connector  
 (5x2,5mm<sup>2</sup>)

Wago Winsta Mini 771  
 MALE connector  
 (5x2,5mm<sup>2</sup>)



=2W2W Cable 2+2m			
LUMINAIRE (A)	CABLE (B)	CABLE (C)	TOTAL LENGTH (D)
1144	1950	1950	3094
1423	1950	1950	3373
2262	1950	1950	4212

=2W3W Cable 2+3m			
LUMINAIRE (A)	CABLE (B)	CABLE (C)	TOTAL LENGTH (D)
1144	1950	2950	4094
1423	1950	2950	4373
2262	1950	2950	5212

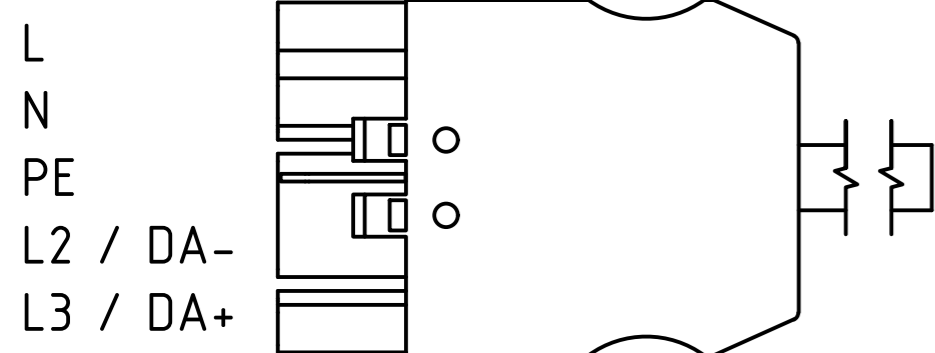
=2W4W Cable 2+4m			
LUMINAIRE (A)	CABLE (B)	CABLE (C)	TOTAL LENGTH (D)
1144	1950	3950	5094
1423	1950	3950	5373
2262	1950	3950	6212

=2W5W Cable 2+5m			
LUMINAIRE (A)	CABLE (B)	CABLE (C)	TOTAL LENGTH (D)
1144	1950	4950	6094
1423	1950	4950	6373
2262	1950	4950	7212

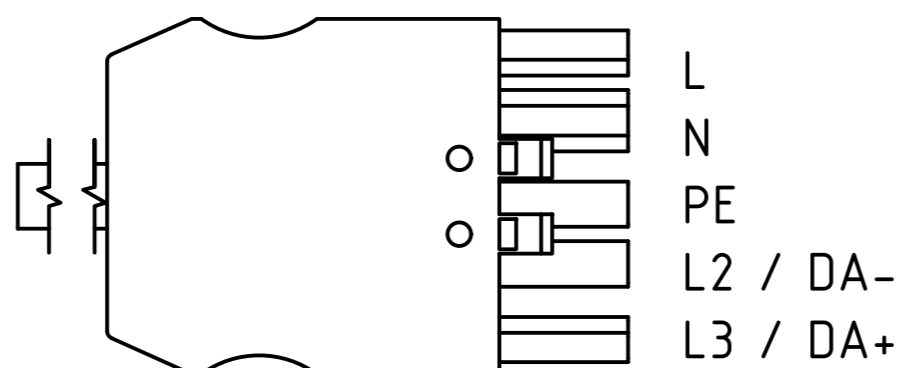
=2W6W Cable 2+6m			
LUMINAIRE (A)	CABLE (B)	CABLE (C)	TOTAL LENGTH (D)
1144	1950	5950	7094
1423	1950	5950	7373
2262	1950	5950	8212

=2W8W Cable 2+8m			
LUMINAIRE (A)	CABLE (B)	CABLE (C)	TOTAL LENGTH (D)
1144	1950	7950	8094
1423	1950	7950	8373
2262	1950	7950	9212

Pituus (D) toleranssi ±0,1m  
 The stated length (D) tolerance ±0,1m



Wago Winsta Mini 771  
 MALE connector  
 (5x2,5mm<sup>2</sup>)



Wago Winsta Mini 771  
 FEMALE connector  
 (5x2,5mm<sup>2</sup>)

(Ruskea/Brown/Brun/Braun)  
 (Sininen/Blue/Blå/Blau)  
 (Keltavihreä/Yellow-Green/Gul-Grön/Grüngelb)  
 (Musta/Black/Svart/Schwarz)  
 (Harmaa/Grey/Grå/Grau)

Cables		
Code	Description	Cable type
=2W2W	5x2,5mm <sup>2</sup> , 2m 5x2,5mm <sup>2</sup> , 2m	H05VV-F
=2W3W	5x2,5mm <sup>2</sup> , 2m 5x2,5mm <sup>2</sup> , 3m	H05VV-F
=2W4W	5x2,5mm <sup>2</sup> , 2m 5x2,5mm <sup>2</sup> , 4m	H05VV-F
=2W5W	5x2,5mm <sup>2</sup> , 2m 5x2,5mm <sup>2</sup> , 5m	H05VV-F
=2W6W	5x2,5mm <sup>2</sup> , 2m 5x2,5mm <sup>2</sup> , 6m	H05VV-F
=2W8W	5x2,5mm <sup>2</sup> , 2m 5x2,5mm <sup>2</sup> , 8m	H05VV-F
=2W2WHF	5x2,5mm <sup>2</sup> , 2m 5x2,5mm <sup>2</sup> , 2m	H05Z1Z1-F
=2W3WHF	5x2,5mm <sup>2</sup> , 2m 5x2,5mm <sup>2</sup> , 3m	H05Z1Z1-F
=2W4WHF	5x2,5mm <sup>2</sup> , 2m 5x2,5mm <sup>2</sup> , 4m	H05Z1Z1-F
=2W5WHF	5x2,5mm <sup>2</sup> , 2m 5x2,5mm <sup>2</sup> , 5m	H05Z1Z1-F
=2W6WHF	5x2,5mm <sup>2</sup> , 2m 5x2,5mm <sup>2</sup> , 6m	H05Z1Z1-F
=2W8WHF	5x2,5mm <sup>2</sup> , 2m 5x2,5mm <sup>2</sup> , 8m	H05Z1Z1-F
=2W2WDA	5x2,5mm <sup>2</sup> , 2m 5x2,5mm <sup>2</sup> , 2m	H05VV-F
=2W3WDA	5x2,5mm <sup>2</sup> , 2m 5x2,5mm <sup>2</sup> , 3m	H05VV-F
=2W4WDA	5x2,5mm <sup>2</sup> , 2m 5x2,5mm <sup>2</sup> , 4m	H05VV-F
=2W5WDA	5x2,5mm <sup>2</sup> , 2m 5x2,5mm <sup>2</sup> , 5m	H05VV-F
=2W6WDA	5x2,5mm <sup>2</sup> , 2m 5x2,5mm <sup>2</sup> , 6m	H05VV-F
=2W8WDA	5x2,5mm <sup>2</sup> , 2m 5x2,5mm <sup>2</sup> , 8m	H05VV-F
=2W2WHFDA	5x2,5mm <sup>2</sup> , 2m 5x2,5mm <sup>2</sup> , 2m	H05Z1Z1-F
=2W3WHFDA	5x2,5mm <sup>2</sup> , 2m 5x2,5mm <sup>2</sup> , 3m	H05Z1Z1-F
=2W4WHFDA	5x2,5mm <sup>2</sup> , 2m 5x2,5mm <sup>2</sup> , 4m	H05Z1Z1-F
=2W5WHFDA	5x2,5mm <sup>2</sup> , 2m 5x2,5mm <sup>2</sup> , 5m	H05Z1Z1-F
=2W6WHFDA	5x2,5mm <sup>2</sup> , 2m 5x2,5mm <sup>2</sup> , 6m	H05Z1Z1-F
=2W8WHFDA	5x2,5mm <sup>2</sup> , 2m 5x2,5mm <sup>2</sup> , 8m	H05Z1Z1-F

Cable insulation options	Code
MSK / PVC / H05VV-F	
MSK / PVC / H05VV-F	DA
MSK / HF / H05Z1Z1-F	HF / HFDA
VSN / VSKB / H07RN-F	R / RDA
VSN / VSKB / H07ZZ-F	RHF / RHFDA

HUOM!  
 Pituus (D) on maksimimitta, jonka kullakin kaapeliparilla voi saavuttaa.  
 On suositeltavaa jättää tarvittava pelivara asennukselle (esim. jos kaapelia täytyy  
 faivutella, kiertää esteitä tmv.).

Esimerkkejä kaapelivalinnoista:

Examples of cable codes:

=2W2W (Cable 2m+2m, H05VV-F, PVC)

=2W5WHF (Cable 2m+5m, H05Z1Z1-F, halogen-free)

ATTENTION! Length (D) is the absolut maximum through-wiring distance.  
 It is advised to leave some leeway for assembling (e.g. if the cable needs to be bend etc.).