

2023-10-31



PursoCal

News-Letter

DataBase-3013
V12



- LK90eco -New corner fixation
 (“Glued+Screws”- with environmental healthy glue)

Connections

Corners Base Element: Glued

Corners Window Sash:
 T-Connections:

Cut Connectors

Frame Corner Connectors
 Window Corner Connectors
 T-Connectors:

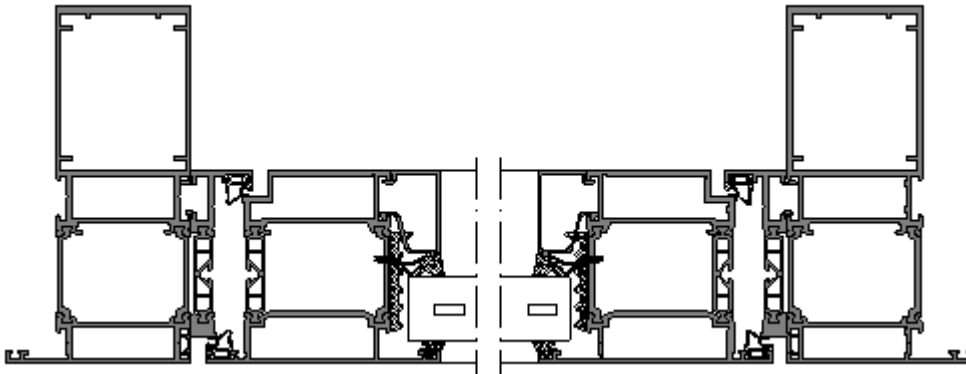
- P76E new glazing thicknesses 56-59mm.

Glazing ×

Glass Input

Filling:	No Glass - With GB/Gasket
Thickness Outside:	
Thickness Centre:	
Thickness Inside:	
Filling Thickness:	59
Colour Glazing Beads:	56
	57
	58
Information	
Dimensions:	59

LK78X new frame profile combination together with doors- 781401 and 781403



LK78X new striking plate options-without lock counter plate, only machining

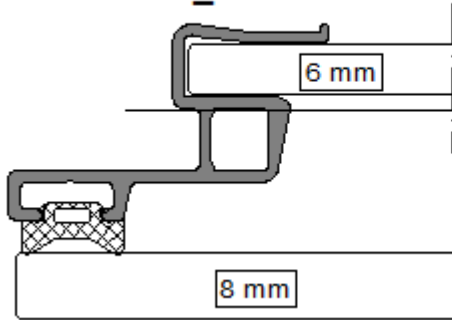
Description	Information	Colour	Type
Purso, Striking Plate			
4614+78/21 Only Machining	Plain Plate		Striking Plate
4655+78/20	Plain Plate		Striking Plate
4655+78/20 Only Machining	Plain Plate		Striking Plate
4655+78/21	Plain Plate		Striking Plate
4655+78/21 Only Machining	Plain Plate		Striking Plate
4655+78/25	Plain Plate		Striking Plate
4655+78/25 Only Machining	Plain Plate		Striking Plate
4613+78/20	Plain Plate		Striking Plate
4613+78/20 Only Machining	Plain Plate		Striking Plate
4613+78/21	Plain Plate		Striking Plate
4613+78/21 Only Machining	Plain Plate		Striking Plate
4614+78/20	Plain Plate		Striking Plate
4614+78/20 Only Machining	Plain Plate		Striking Plate
4614+78/21	Plain Plate		Striking Plate



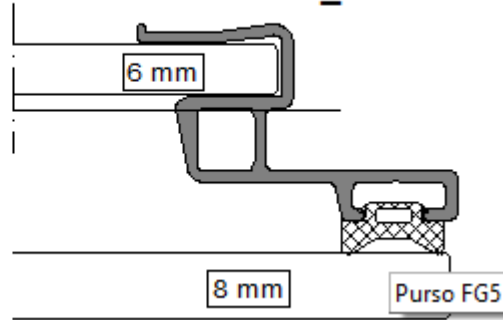
P50L – filling pocket, gasket replaced RT5LE → FG5.

H-H

5019578_25-8



5019578_25-8



V12 – P80 – T-connection machining fixed

V12 – P80 – Fixed threshold length

V12 – P94 EI30 – Fire glass on correct side
(visual)

V12 – LK78X/SW – Profile 781232 fixed corner
connection machining

V12 – P94 EI30 double door – fixed machinings

V12 – Special ES anodized colors will be added
together with new price list.

What's Coming

- P50S in PursoCal
- P50L EI30-60
- Automatic doors to P50L
- LK75eco will be inactive after update
- LK78X new U-values
- P76E new U-values together with PUR-insulator

Contacts:

Edgard Bodnar

R&D Specialist

Edgard.morozov@purso.com

+370 608 30 796

Customer and Architect support

Buildinginfo@purso.fi

+358 334 04 600