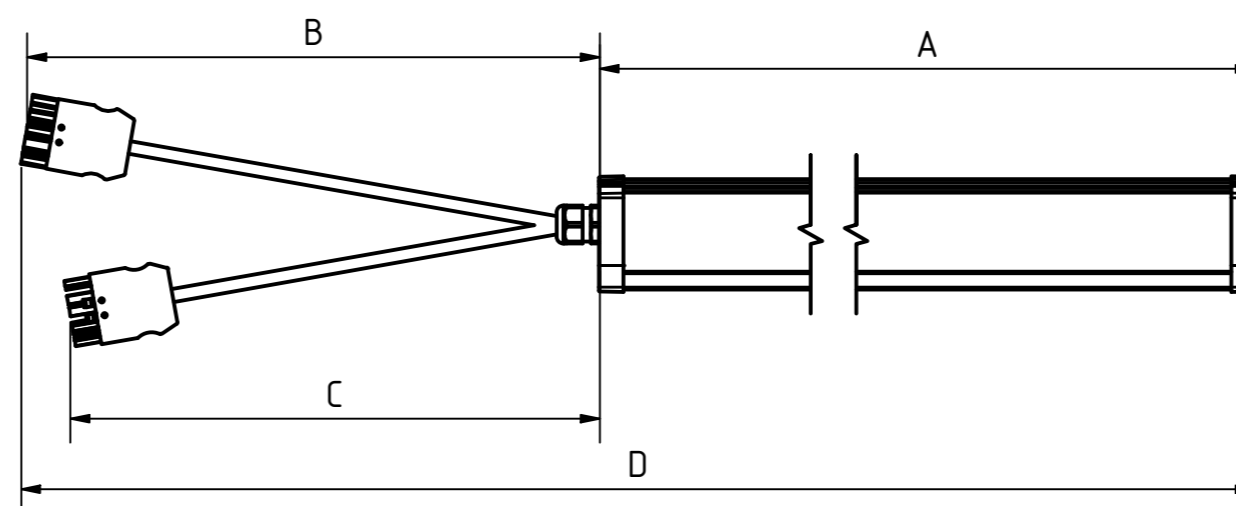


Läpipohtaus Wago Winsta liitoskaapeleilla
Through wiring with Wago Winsta connector
Genomgående kabeldragning med Wago Winsta kontakt
Durchangsverdrahtung mit Wago Winsta Stecker

Wago Winsta Mini 771
FEMALE connector
(5x2,5mm²)

Wago Winsta Mini 771
MALE connector
(5x2,5mm²)



=2W2W Cable 2+2m			
LUMINAIRE (A)	CABLE (B)	CABLE (C)	TOTAL LENGTH (D)
1416	1950	1950	3366
2256	1950	1950	4206

=2W3W Cable 2+3m			
LUMINAIRE (A)	CABLE (B)	CABLE (C)	TOTAL LENGTH (D)
1416	1950	2950	4366
2256	1950	2950	5206

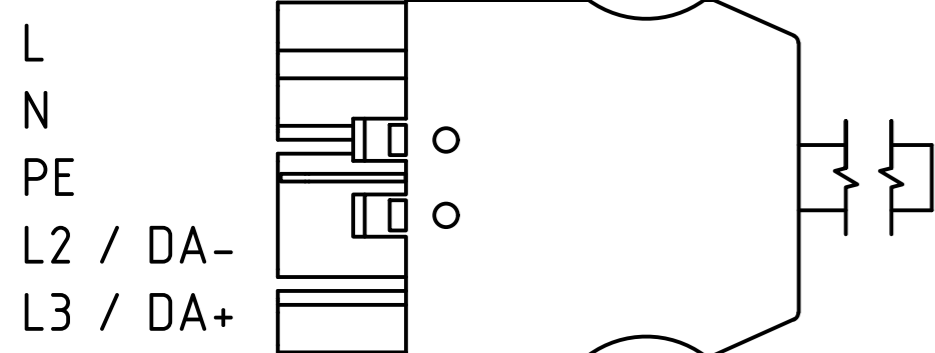
=2W4W Cable 2+4m			
LUMINAIRE (A)	CABLE (B)	CABLE (C)	TOTAL LENGTH (D)
1416	1950	3950	5366
2256	1950	3950	6206

=2W5W Cable 2+5m			
LUMINAIRE (A)	CABLE (B)	CABLE (C)	TOTAL LENGTH (D)
1416	1950	4950	6366
2256	1950	4950	7206

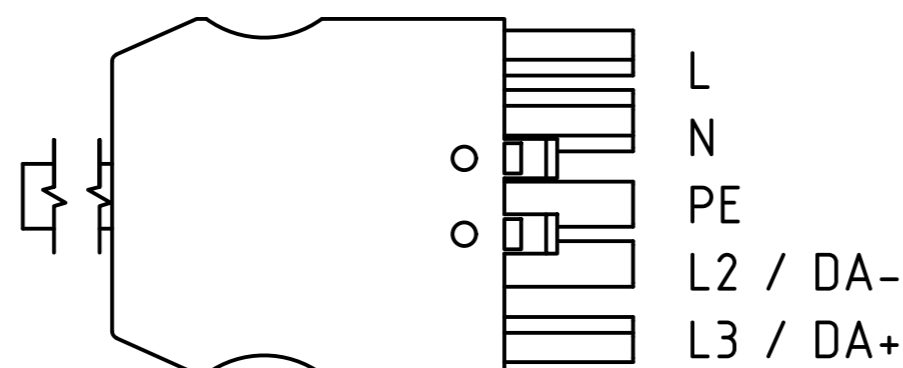
=2W6W Cable 2+6m			
LUMINAIRE (A)	CABLE (B)	CABLE (C)	TOTAL LENGTH (D)
1416	1950	5950	7366
2256	1950	5950	8206

=2W8W Cable 2+8m			
LUMINAIRE (A)	CABLE (B)	CABLE (C)	TOTAL LENGTH (D)
1416	1950	7950	9366
2256	1950	7950	10206

Pituus (D) toleranssi ±0,1m
The stated length (D) tolerance ±0,1m



Wago Winsta Mini 771
MALE connector
(5x2,5mm²)



Wago Winsta Mini 771
FEMALE connector
(5x2,5mm²)

(Ruskea/Brown/Brun/Braun)
 (Sininen/Blue/Blå/Blau)
 (Keltavihreä/Yellow-Green/Gul-Grön/Grüngelb)
 (Musta/Black/Svart/Schwarz)
 (Harmaa/Grey/Grå/Grau)

Cables		
Code	Description	Cable type
=2W2W	5x2,5mm ² , 2m 5x2,5mm ² , 2m	H05VV-F
=2W3W	5x2,5mm ² , 2m 5x2,5mm ² , 3m	H05VV-F
=2W4W	5x2,5mm ² , 2m 5x2,5mm ² , 4m	H05VV-F
=2W5W	5x2,5mm ² , 2m 5x2,5mm ² , 5m	H05VV-F
=2W6W	5x2,5mm ² , 2m 5x2,5mm ² , 6m	H05VV-F
=2W8W	5x2,5mm ² , 2m 5x2,5mm ² , 8m	H05VV-F
=2W2WHF	5x2,5mm ² , 2m 5x2,5mm ² , 2m	H05Z1Z1-F
=2W3WHF	5x2,5mm ² , 2m 5x2,5mm ² , 3m	H05Z1Z1-F
=2W4WHF	5x2,5mm ² , 2m 5x2,5mm ² , 4m	H05Z1Z1-F
=2W5WHF	5x2,5mm ² , 2m 5x2,5mm ² , 5m	H05Z1Z1-F
=2W6WHF	5x2,5mm ² , 2m 5x2,5mm ² , 6m	H05Z1Z1-F
=2W8WHF	5x2,5mm ² , 2m 5x2,5mm ² , 8m	H05Z1Z1-F
=2W2WDA	5x2,5mm ² , 2m 5x2,5mm ² , 2m	H05VV-F
=2W3WDA	5x2,5mm ² , 2m 5x2,5mm ² , 3m	H05VV-F
=2W4WDA	5x2,5mm ² , 2m 5x2,5mm ² , 4m	H05VV-F
=2W5WDA	5x2,5mm ² , 2m 5x2,5mm ² , 5m	H05VV-F
=2W6WDA	5x2,5mm ² , 2m 5x2,5mm ² , 6m	H05VV-F
=2W8WDA	5x2,5mm ² , 2m 5x2,5mm ² , 8m	H05VV-F
=2W2WHFDA	5x2,5mm ² , 2m 5x2,5mm ² , 2m	H05Z1Z1-F
=2W3WHFDA	5x2,5mm ² , 2m 5x2,5mm ² , 3m	H05Z1Z1-F
=2W4WHFDA	5x2,5mm ² , 2m 5x2,5mm ² , 4m	H05Z1Z1-F
=2W5WHFDA	5x2,5mm ² , 2m 5x2,5mm ² , 5m	H05Z1Z1-F
=2W6WHFDA	5x2,5mm ² , 2m 5x2,5mm ² , 6m	H05Z1Z1-F
=2W8WHFDA	5x2,5mm ² , 2m 5x2,5mm ² , 8m	H05Z1Z1-F

Cable insulation options	Code
MSK / PVC / H05VV-F	
MSK / PVC / H05VV-F	DA
MSK / HF / H05Z1Z1-F	HF / HFDA
VSN / VSKB / H07RN-F	R / RDA
VSN / VSKB / H07ZZ-F	RHF / RHFDA

HUOM!
Pituus (D) on maksimimitta, jonka kullakin kaapeliparilla voi saavuttaa.
On suositeltavaa jättää tarvittava pelivara asennukselle (esim. jos kaapelia täytyy faivutella, kiertää esteitä tmv.).

ATTENTION! Length (D) is the absolut maximum through-wiring distance.
It is advised to leave some leeway for assembling (e.g. if the cable needs to be bend etc.).

Esimerkkejä kaapelivalinnoista:
Examples of cable codes:
=2W2W (Cable 2m+2m, H05VV-F, PVC)
=2W5WHF (Cable 2m+5m, H05Z1Z1-F, halogen-free)